

The background of the entire page is a photograph of a modern, brightly lit commercial washroom. The room features a long row of white, rectangular washroom stalls on the left side, each with a glass door and a white base. The floor is a light-colored, polished material that reflects the overhead lights. On the right side, there is a white radiator and a wall-mounted light fixture. The overall atmosphere is clean and professional.

Commercial
washroom collection



The Nicholls & Clarke Group is a business dedicated to the manufacture and supply of the finest building materials. Founded in 1875 in London, we have grown from servicing the capitals' building trades to becoming the largest privately owned national manufacturer and distributor of fine quality building products.

Quality manufacturing is at the core of our business and comes as standard. We own state of the art manufacturing facilities based across the UK and Central Europe. This gives us the broadest manufacturing capability available, allowing us to offer an extensive portfolio of product, more specialised than that of any of our competitors.

Our distribution network is supported with our private fleet of over 110 commercial vehicles. This gives us full logistical control from the point of manufacture through to delivery to site. We offer a nationwide delivery service, be that to site, home or commercial address. The vast majority of our deliveries are made on a next day basis.

Complete Washroom Specialists

As leading manufacturers and suppliers within the washroom market, Nicholls & Clarke are able to supply everything required to build and help design a quality commercial washroom for any environment. We have broad experience in working together with clients that have varying budgets, requirements and priorities working across different industries.

N&C offer a broad portfolio of quality products perfect for every application from changing rooms within the leisure industry, to commercial washrooms in shopping centres. Operating within the washroom market since 1875, we have the ability to offer invaluable technical expertise and advice for our clients at any stage of design for the ultimate in confidence, reliability and service.



Experience

Established in 1875, Nicholls & Clarke has pedigree that has been developed over many years. Through great heritage, we have gained a depth of knowledge and invaluable experience in the manufacturing and supplying of washroom products to the construction industry. We have experience across many industries with a huge portfolio of products suited to most project environments.

Total Solution Providers

Part of the Nicholls & Clarke Group, we have the ability to offer a comprehensive range of products from sanitaryware, cubicles and showers, to ironmongery, tiling solutions and much more. We offer the complete washroom package so that you can benefit from dealing with one source, making it easier to co-ordinate project supplies.

Technical Specification Service

This document will make the process of selecting the correct products for the required environment much simpler through information on client needs as well as legislation. If in doubt, our expert team are on hand to guide you in the right direction on specific project queries.

Environment

As an ISO14001 company, sustainability is a core part of our company agenda. As well as various carbon offsetting programmes in place, we invest a great deal in manufacturing and developing solutions dedicated to water conservation. These include new waterless systems, reduced flush and flow modifying solutions. Our products are approved by the Water Regulatory Association (WRAS) and the Water Regulators Council (WRC) to ensure our products continue to deliver quality as standard to all customers.

Inventors & Innovators

Nicholls & Clarke continue to be at the forefront of innovation, embracing new technology within the industry and better defining our portfolio with products that perform, but where style and quality are at its peak. As inventors, we continue to engage in research and development and understand industry and customer requirements in order to present solutions that overcome day to day problems.

Research & Development

Prior to going to market, we undergo rigorous testing of all our products to ensure that performance is to a high standard. All products are tested to meet the relevant standards and regulations.

24 Hour Nationwide Delivery

Nicholls & Clarke are unique in being able to offer nationwide, next day delivery, even when you order up to 5pm the day before* and there is no minimum order requirement. We operate out of 15 branches nationwide so can offer localised delivery, and with over 60,000 product lines you also have the option, in most cases, to collect.

Customer Care

We aim to provide you with an outstanding level of customer service that will help to further enhance the service you offer to your clients. We monitor our performance levels and strive to achieve 100% client satisfaction. We believe that open channels of communication with our customers, coupled with their feedback are a sure way of further improving our customers buying experience.

Product Features Key



Eco - Friendly
Products that form part of the eco collection for encouraging reduced water wastage and consumption



Raised Height
Raised height pans, perfect for added comfort, accessible & disabled facilities



Wheel Chair Access
Inclusive products with a universal design, enabling accessibility for wheelchair users



Recycle
Made from recycled materials to help reduce our clients' carbon footprint



Children's Products
Products designed specifically for use by small children



Water Technology List
Products within DEFRA Water Technology List meet the Enhanced Capital Allowances Tax scheme, based on products that deliver water conservation methodology. This enables the client to recover 100% of the cost in the first year, or the cost of supply and fit



TMV 2 Certified
Valves suitable for domestic applications using BS EN1111 and BS EN1287 as a basis for performance testing.



Anti - Vandal
Products designed to help with the prevention of intended damage in high risk environments



TMV 3 Certified
Valves that are suitable for use in high risk commercial healthcare applications within the UK



Odourless
Prevents the spread of bad smells preventing a backflow of gases and eliminating odours

Contents

Hotels	8 - 9
Leisure	10 - 11
Commercial	12 - 13
Restaurants & Bars	14 - 15
Shopping Centres	16 - 17
Healthcare	18 - 19
Education	20 - 23

Wash Basins	24 - 31
W.C's	33 - 37
Cisterns & frames	38 - 39
Toilet seats	40 - 41
Urinals	42 - 43
Waterless urinals	44 - 45
Taps & Mixers	46 - 51
Showering	52 - 55

Cubicles	56 - 73
Vanity units	76 - 77
Duct panelling & IPS	74 - 75
Lockers & benches	80 - 81

Accessories	82 - 88
Anti Vandal	89 - 93
Stainless Steel	90 - 93

Miscellaneous	94 - 95
---------------	---------

Document M Healthcare	96 - 104
RADAR locks	105
Grab rails	106 - 107
Signs & wayfinders	108 - 109

Technical Information	110 - 126
-----------------------	-----------

Index	126
-------	-----

Commercial Partners

We have worked in partnership with an extensive list of customers throughout the U.K and worldwide on some of the most demanding projects imaginable. Our first UK and export project was completed 55 years ago, yet our products continue to perform today and will continue to do so for the life of the building or project.

This pedigree has created ultimate confidence in the Nicholls & Clarke range of products. Today we have N&C products specified by many recognised UK and international brands and are also working with many of the UK's premier contractors who in turn work in partnership with these brands.





Water Conservation

Water conservation is a design measure to establish more efficient use of water in order to reduce loss, use and wastage. N&C have developed a series of water saving products and systems to help lower water consumption and energy bills, whilst helping you to achieve greater sustainability through BREEAM and COSHH ratings for your project, through the use of water saving devices, water recycling and water storage areas.

Water resources across much of England and Wales are used intensively and are subject to significant pressures. Meeting the future demands of society, whilst protecting and improving the environment will be a daunting challenge. Sustainable management within business is therefore essential to help protect the water environment and to meet current and future demand, especially prevalent during a period where pressure on water usage suggests that we cannot sustain rising consumption, therefore needing to reduce and conserve water.

Did you know:

Although England and Wales are often perceived to have a wet climate, high population density, especially in London, means there is less water available per person than hot, drier countries such as Egypt or Morocco.

The future management of this precious resource is too important to be left to chance so is a huge responsibility for the government, manufacturers as well as architects and designers who are pivotal in the design of sustainable buildings of the future. Our products and solutions are thoroughly tried and tested and approved by the Water Regulators Council (W.R.C.) to ensure confidence in the delivery of sustainable products to our clients.

Sustainability is a core part of our company agenda. As a result, we have continued to invest in product development and solutions dedicated to water conservation, such as waterless urinal systems, Ecoflow cartridges in taps & mixers, through to reduced water consumption and capacity in toilets and showers.

Key Water Facts:

- Part 'G' demands a reduction to 105 litres per person per day
- Uncontrolled urinal flushing can amount to 900 litres of water per day, per urinal
- Maintenance is essential. Replace or fix leaking taps, as a tap dripping once every second wastes nearly 4 litres of water per day.





Water conservation measures should be used in the early design stages of all new buildings whether it is for residential, industrial, or commercial use. In existing buildings it is still possible to reduce water consumption through new fittings and fixtures such as low flow limiters/dual flush toilets, delayed fill cisterns, proximity sensor taps and waterless urinals.

It has been estimated by the environmental agency that most office buildings can easily reduce water consumption and their water bills by around 50% by simply introducing small water saving measures:

Waterless Urinals

Waterless urinals can save up to 80,000 litres of water per urinal each year as it doesn't use water. As a product that uses up to 20% of the entire water usage within an office, there are huge savings to be made.

Urinal Controls

Urinal flush control devices can be retrofitted to existing urinals, ensuring that the cistern only flushes during office hours, or after use, rather than continuously throughout the day

Eco – Taps & Mixers

Consider the use of eco flow products such as low flow taps, electronic sensor taps and time restricted showers and taps.

Use of Grey Water

Identifying the capacity for rainwater harvesting to identify how much can be provided without using mains supply potable water. Offices typically use less than a third of the water per person per day and are only operational five days a week. It may therefore be possible to provide some of the water supply from rainwater harvesting or recycling.

Cistern Displacement Devices

These devices reduce the volume of water required to fill a toilet cistern by up to three litres per flush. They are often available free of charge from your water company.



Case Study:

Chesswood Middle School saved nearly 900m³ of water per year (a 68 per cent reduction in the total amount of water used by the school) by fitting urinal flush controllers. Urinal flush controllers proved to be the most cost effective range of water efficiency measures installed throughout the school.

Water use due to urinals	1,314m ³ per year
After fitting controllers	419m ³
Water saved	895m ³
Money saved	£1,414 per year
Cost of installation	£960
Payback:	8 months (approx)

Source: Environment Agency, 2013

Water efficiency not only has an environmental impact for businesses but a financial one. With energy bills continually rising, becoming water efficient is a simple way to save money through minor changes such as the implementation of water saving devices and better water management, the average business can save up to 50% on bills.

How to calculate office water consumption

The average office water use is four cubic metres per employee a year*. You can calculate water use, per employee, in your office using the following:

$$\frac{\text{annual water use (m}^3\text{)}}{\text{number of staff (full and part time)}}$$

For example, the calculation for an office with 43 full and part time staff and a six monthly water use of 133m³ would be:

$$\frac{133 \times 2}{43} = 6.2 \text{ m}^3\text{/employee/year}$$

*shown on water bill



Hotel

Hotels are increasingly discovering the importance of quality, innovation, style and cleanliness in their washrooms. Many hotels often use the bathroom as part of their key selling point in order to represent their prestige as quality service providers.





Reliability, durability, ease of care and maintenance are key objectives in designing bathrooms that not only remain fully operational but look as good as the day they were installed.

This is why at N&C we concentrate on function, practicality and quality combined with great design to create innovative, inspirational solutions to suit every hotel type, from national chains, to 5* independent hotels.

Guests often rate the comfort of their room by the cleanliness, thus leading to the desired level of customer satisfaction. We take into consideration all factors affecting hotels, such as speed and ease of cleaning by housekeeping, to ease of use and functionality. For example, by opting for one of our wall-hung designs, floor areas are kept clear where normally dust and dirt could easily gather whilst also creating the illusion of greater space for guests. This streamlined look makes cleaning a quick and hassle-free affair as well as creating a contemporary design.



It is estimated by the DWP that nearly half the population will consist of over 50's by 2050. Futureproofing a business and considering accessibility within washroom design is something that N&C have been involved in over the last 40 years through our healthcare division.

- Thermostatic showering
- Wall-hung toilets & basins
- Mirrors and vanity units
- Taps & accessories
- Accessible solutions
- Wall & floor coverings

It is not advised to limit the amount of washroom facilities available in any circumstance but below are the guidelines according to British Standard 6465-1 2006 for Hotels, Guest Houses and similar accommodation.

Accommodation Type	Sanitary item	No. of Sanitary Items	Details
Bedroom with en-suite	Bath or shower, W.C and washbasin	1 per room	Washing facilities should be provided in close proximity to all W.C's and urinals.
Bedroom with no en-suite	W.C	1 per 9 persons	Urinals should be provided in the male public rooms.
	Washroom (W.C & washbasin)	1 per 4 persons	When not provided with individual washrooms, separate provisions should be made on each floor.
	Bathroom (bath or shower, washbasin & W.C)	1 per 4 persons	
Cleaners room	Cleaners sink	1 per 30 bedrooms	Minimum of 1 per floor

hotels

leisure

commercial

healthcare

education

Leisure

Research shows that washroom cleanliness, hygiene, style and functionality within the leisure industry are important in helping us determine and place value on the level of service we are receiving, therefore enabling satisfaction.





As our quality of life continues to increase as a more health conscious society, there is greater demand than ever before within swimming pools and other leisure facilities. Durability, strength and inclusive design in washrooms are vital as they are demanding, high traffic environments. They need to withstand high humidity, chemicals and increased wear, yet still need to be maintained to customers expectations of elegance, cleanliness, and useability.

N&C offer a comprehensive range of washroom facilities for all types of public and private leisure centres, from small independent businesses to the major, national chains and buying groups. We provide quality solutions adapted to the required environment, encompassing functionality, style and value for money across the portfolio.



- Cubicles
- Urinals
- W.C suites
- Wash basins
- Showering (time flow)
- Lockers
- Benches
- Vinyl flooring
- Tiling Solutions

Minimum provision of sanitary appliances for swimming pools as referred to in BS 6465 -1:2006

Sanitary item	Male Pool Users	Female Pool Users	Details
W.C	2 for up to 100 males, plus 1 for every additional 100 male or part thereof	1 per 5 females (up to 50) 1 for every additional 10 females or part thereof up to 100 females, plus 1 per 50 females or part thereof	Where female pool users will not be using the pool in timed sessions i.e. will not be changing at the same time, 1 W.C per 10 will be acceptable
Urinal	1 per 20 males (up to 100) and 1 per 80 males or part thereof		
Washbasin	1 per W.C, plus 1 per 5 urinals or part thereof	1 plus 1 per 2 W.C's or part thereof	
Shower	1 per 10 males or part thereof	1 per 10 females or part thereof	

hotels

leisure

commercial

healthcare

education

Commercial

Commercial areas vary from office blocks to airports and train stations to supermarkets, but whilst different organisations will have different user properties, purpose, design and size, the fundamental specification factors are the same.





Many forward thinking businesses have realised that their washrooms make a significant difference to their success. In an office environment, this affects staff productivity and commitment. Providing a comfortable, stylish, clean, economical environment can send a strong, positive message to staff and visitors. Good washroom facilities aim to offer a pleasant, light and luxurious environment with long term functional operation to avoid any downtime which pays dividends in the long run, and for that reason careful consideration of product, for its endurance and functionality are key.



At N&C, we have extensive expertise in the commercial washroom market and understand that businesses today face the daunting task of needing to cut unnecessary costs across the business. Our total commercial washroom solution package takes into consideration the way businesses operate and offers an unrivalled package that benefits all clients large or small.

- Waterless urinals
- Cubicles
- W.C suites
- Urinals
- Wash basins
- Mirrors & vanity units
- Hand dryers & dispensers
- Wall & floor coverings

The minimum scale of provision of sanitary appliances for staff toilets in offices, shops, factories and non-domestic premises used at a place of work As BS 6465 -1:2006

Number of staff	No. of W.C's		No. of washbasin's	
	Male	Female	Male	Female
1 to 5	1	1	1	1
6 to 15	2	2	1	2
16 to 30	2	3	2	3
31 to 45	2	4	2	4
46 to 60	3	5	2	5
61 to 75	3	6	3	6
76 to 90	4	7	4	7
91 to 100	4	8	4	8
>100	4 (plus 1 for every group or fraction of group of 25 staff)			

Washroom facilities for disabled staff must also be provided, as generally described in Section 7 of BS 6465 building regulations.

hotels

leisure

commercial

healthcare

education

Restaurants & Bars

From fast food restaurants to Michelin star rated dining, the fundamental requirements for washrooms within this sector remain the same. Cleanliness, hygiene and aesthetics play a significant part in determining the overall experience and value.





Washroom design affects the overall dining and social experience in bars and restaurants. Designing stylish and easily maintained washrooms can encourage people to visit a location, stay longer and spend more money, whereas for example, fast food restaurants intending on a higher customer turnover may prioritise on more durable products for high traffic use.

The condition of washrooms determines perceived value based on hygiene, durability and attractiveness, especially important in places where food is served or in nightclubs where excessive alcohol may be consumed and anti social behaviour may take place. Washrooms for public use are designed to minimise hand contact for hygienic purposes where sensor operated mechanisms for flush valves and taps require minimum maintenance but offer style and perceived cleanliness due to hands-free operation.

- Urinals
- Cubicles
- Sanitaryware
- Taps & accessories
- Touch free facilities (hand dryers, taps, flushing)
- Mirrors & vanity units
- Anti vandal
- Wall & floor coverings

The minimum scale of provision of sanitary appliances for Restaurants and other areas where seating is provided for eating & drinking As BS 6465 -1:2006

Toilets for the disabled should be provided in accordance with Clause 7 BS 6465-1:2006. Establishments with up to 25 seats should provide as a minimum one wheelchair accessible unisex toilet, which may be used by both staff and customers. Sanitary facilities for staff in establishments with more than 25 seats should be in addition to and separate from sanitary facilities for customers.

Sanitary item	Males	Females	Remarks
W.C	2 for up to 150, plus 1 for every additional 250 or part thereof 2 for up to 50 if urinals are not provided	2 for up to 30, plus 1 for every additional 30 up to 120 plus 1 for every addition 60 or part thereof	An equal number of male and female customers should be assumed
Urinals	1 per 60 males of part thereof up to 120, plus 1 for every additional 100 or part thereof		
Washbasin	1 per W.C. plus 1 per 5 urinals or part thereof	1 per W.C	

The minimum scale of provision of sanitary appliances for licensed pubs, bars, nightclubs and discos As BS 6465 -1:2006

Toilets for the disabled should be provided in accordance with Clause 7 BS 6465-12006..

Sanitary item	Males	Females	Details
W.C	2 for up to 150 males plus one for every additional 200 male or part thereof. 2 for up to 40 males where urinals are not provided	2 for up to 25 females plus 1 for every additional 25 females up to 200 plus 1 for every additional 35 females or part thereof	Where unisex toilets are provided, W.Cs should be in self-contained toilets with full height walls and doors
Urinal	1 for every 50 males up to 200 plus 1 for every additional 70 males or part thereof		An equal number of male and female customers should be assumed
Washbasin	1 per W.C. and in addition 1 per 5 urinals or part thereof		Occupancy should be calculated at the rate of 4 persons per 3m ² of effective drinking area (EDA)
Bucket/ cleaners sink	Adequate provision should be made for cleaning facilities including at least one bucket/cleaners' sink.		

Shopping Centres

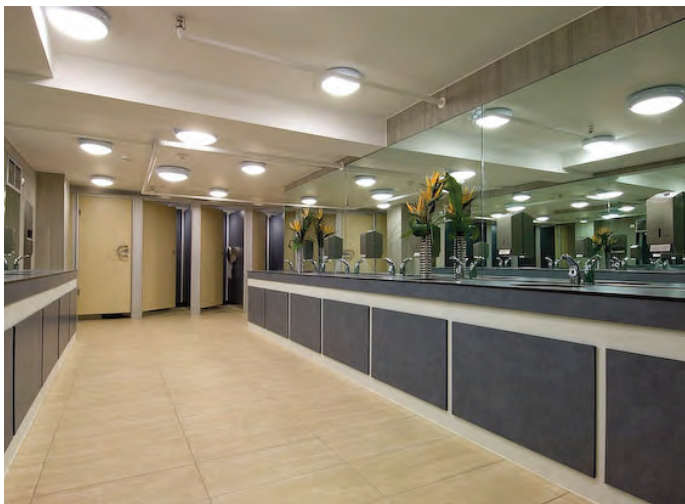
When planning a day out shopping, the facilities available contribute to the overall shopping experience, through factors such as the layout, number of cubicles (queuing time), hygiene, cleanliness, usability and aesthetics. These are important in creating a positive association with the shopping centre.





According to a survey undertaken by The British Council of Shopping Centres, higher standards than that required by official codes are often implemented as it was realised that it is vital to attract customers who might otherwise shop elsewhere.

Washroom facilities need to reflect modern standards of hygiene. We can provide the operating facilities to ensure that transfer of germs are restricted to a minimum, creating a sequential process of touch free systems. Anti bacterial toilet seats, pull handles, sensor operated taps and flushing of cisterns for W.C's & urinals are among the obvious candidates for inclusion within the specification brief. However, there are also other aspects that are considered, such as grout specification, junction details, and panel construction and configuration choices for subsequent cleaning regimes.



The washroom design should consider ease of access, be free of obstacles, clearly signed, well light, easily cleaned and maintained regularly. At N&C our products ensure performance, compliance, availability and cost effectiveness through our total washroom offering. Where washroom construction, operation and later maintenance are considered.

- Urinals
- Cubicles
- Sanitaryware
- Taps & accessories
- Touch free facilities (hand dryers, taps, flushing)
- Mirrors & vanity units
- Anti vandal
- Wall & floor coverings

The minimum scale of provision of sanitary appliances for shops and shopping malls Areas in excess of 1000m² as BS 6465 - 1:2006

Sanitary Items	Males	Females	Details
W.C	1 per 500 males; plus 1 for every additional 1000 males or part thereof. Where urinals are used, W.C numbers to be half of those used for females	1 per 100 females (up to 500) plus 1 per every additional 200 females or part thereof	It is a necessity to provide facilities for the disposal of sanitary dressings and where necessary include nappy changing facilities
Urinal	2 for up to 500 males, plus 1 for every additional 500 males or part thereof		
Wash basins	1 per W.C, plus 1 per 5 urinals or part thereof	1 plus 1 per 2 W.Cs or part thereof	
Bucket / cleaners sink	Adequate provision should be made for cleaning facilities including at least one bucket/cleaners' sink		

Toilets for the disabled should be provided in accordance with Clause 7 BS 6465-12006.

hotels

leisure

commercial

healthcare

education

Healthcare

N&C are unique in being the only manufacturer to offer a complete adaptation solution. Our mission is to help improve the quality of life for people with all levels of abilities, to produce attractive and cost effective products and to help restore dignity and independence.





Sanitary facilities must be provided for patients, staff and visitors. Several publications are available for the requirements:

- 1] HTM 64
provides detailed sanitaryware assembly specifications for use within patient and medical areas.
- 2] HBN 00-002
provides specific sanitary room layout designs, utilising the assemblies in HTM 64, for patient and medical areas.
- 3] BS 6465
provides scale of provision information that can be used to calculate the number of sanitary items required in staff and visitor washroom facilities.
- 4] PART M
provides information on the design and number of disabled facilities that are needed in staff and visitor washrooms.

Washroom facilities for disabled staff and visitors must also be provided as generally described in section 7 of BS 6465.

The Department of Work and Pensions (DWP) estimate that by 2050, nearly half the population will consist of over 50's, which is why accessibility within washroom design is becoming increasingly important. Caring for people during the most vulnerable and challenging time of their lives can mean re-evaluating the way day to day tasks are carried out. Providing specialised assistance which protects the privacy and dignity of the elderly, often requires specialised products.

Washrooms and their facilities should be easy to use and access, with cubicles and doors to accessible standards, and locks and mechanisms well maintained to allow users that lack strength or unable to grip to operate them with ease. There should also be some tonal contrast to the correct light reflective values (LRV) in the design of the walls, floors and equipment for the visually impaired.

N&C have spent over 55 years supplying independent living solutions to the healthcare market. For years we have been supporting and working with the Centre for Accessible Environments (CAE), Disability Rights UK and RADAR The Disability Network to help us understand market requirements. We can therefore provide expert advice on helping to meet the needs of washroom users across sectors with different levels of abilities whilst fulfilling its legislative requirements.

Our standards of expertise relating to product knowledge and current legislation are also held in high esteem. We are very proud to have been chosen by the CAE as the sole supplier of wheelchair accessible W.C. equipment used in the production of their 'Good Loo Design Guide' jointly published with RIBA Enterprises.

The size of visitor washroom facilities is most closely addressed by selection 6.9 as this focuses on the scale of provision in public assembly buildings having a constant stream of visitors. The following table describes the BSI's recommended provision of sanitary items in assembly buildings:

Sanitary item	Males	Females
W.C	1 for up to 250 males plus 1 for every additional group, or fraction of a group of 500 Male W.C provision should be half of the female provision if urinals are not fitted	2 for up to 40 females 3 for up to 70 females 4 for up to 100 females Plus 1 for every additional group, or fraction of a group over 50
Urinal	1 for each group of 50 males Up to 100 plus 1 for every additional group, or fraction of a group, of 100 males	
Washbasins	1 per W.C and in addition 1 per 5 urinals or part thereof	1, plus 1 per 2 W.C's or part thereof

Education

Nursery & Primary

Safety, hygiene, functionality and friendly aesthetics are important factors to consider within washroom design in nurseries and infant schools. We offer washroom solutions with child-safe profiles and bright and friendly colours to promote a positive experience





Washrooms within educational establishments have long been areas that students avoided or had to simply endure. Research suggests that all aspects of a student's experience, even outside of the classroom, affects their behaviour, willingness to learn and can have a general influence through their learning environment. Creating inspirational, practical washroom designs can have a positive influence on behaviour, willingness to learn and health.

Studies have shown that poor washroom facilities that are unhygienic, unwelcoming and impractical can deter young students within nurseries and primary schools to be less inclined to use the facilities. This can cause stress, discomfort and even lead to phobias in later life. Offering clean, functional facilities with a welcoming design with bright and friendly colours leaves a positive impression in a young child's mind.



N&C provides complete, cost effective washroom solutions for the education sector, focusing on all areas of design to offer products that ensure hygiene, safety, durability, water conservation, and the general well being of all students and staff.

- Children's W.C. pans
- Cubicles
- Sanitaryware
- Wall hung W.C suites
- Urinals
- Cleaner's facilities required for buildings over 100m²
- Anti scold devices

The primary consideration when designing any washroom facility is who and how many people will be using it. Below we have outlined the requirements according to BS 6465-1:2006.

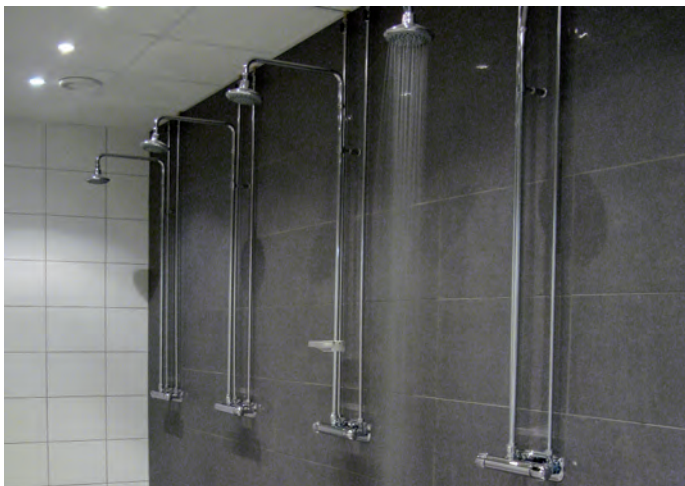
Type of School	Sanitary item	No. of sanitary items	Details
Special	W.C & Urinals	1 per 10 pupils, or part thereof	Not more than 2/3 of boys appliances to be urinals
	Washbasin	1 per W.C or urinal	Every W.C or urinal to be close to a washbasin
	Shower	1 per 10 pupils, or part thereof, not less than 4	Where provided
Nursery	W.C	1 per 10 pupils, or part thereof, not less than 4	
	Washbasin	1 per w.c or urinal	
	Sink, Bath or Shower	1 per 40 pupils	
Primary	W.C & Urinal	1 per 10 pupils under 5 years 1 per 15 pupils over 5 yrs or part thereof	
	Washbasin	1 per w.c or urinal	
	Shower	1 per 10 pupils, or part thereof	

Education

Secondary & Further

The move from primary to secondary school can be a life changing experience, where children make the transition to a 'grown up' environment. Washroom designs that offer a clean, attractive open plan layout, built for durability and safety is key.





The investment seen in pupil welfare, education and the quality of the school can subconsciously be perceived through the school building and facilities available.

Open plan washroom facilities with a clear sightline helps to avoid hidden corners where fears of anti social behaviour and bullying causes students to avoid washrooms. Simplistic designs with basins that can be seen from the outdoors are just a few factors that can help prevent vandalism. Attractive, touch free, water saving washroom solutions such as taps, hand dryers and soap dispensers all contribute to greater hygiene and shift towards student well being. N&C offer durable, eco friendly, attractive solutions that withstand high usage with products to suit any budget.



Money invested in educational establishments is an investment in the teachers, children and their futures as a critical period in any person's life in shaping their personalities, attitudes and behaviours. Better school buildings continue to be a national priority and is a cost effective initiative that helps with improving welfare, discipline and academic attainment.

- Cubicles
- Urinals
- Stainless Steel (Anti Vandal)
- Sanitaryware
- Lockers
- Benches
- Showering (time flow)

The primary consideration when designing any washroom facility is who and how many people will be using it. Below we have outlined the requirements according to BS 6465-1:2006.

Type of School	Sanitary item	No. of sanitary items	Remarks
Secondary	Boys W.C and Urinal	1 per 20 pupils, or part thereof	Not more the 2/3 of boys appliances to be urinals
	Girls W.C	1 per 20 pupils, or part thereof	
	Washbasins	1 per W.C or urinal where there are up to 3 appliances 2 per 3 W.C's or urinals where there are more than 3 appliances	Every W.C or urinal to be close to a washbasin
	Shower	1 per 10 pupils, or part thereof	Easy access for all places where physical education takes place
Boarding School (residential)	Boys W.C and Urinal	1 per 5 boarders, 2/3 to be urinals	These provisions are in addition to those sanitary items shown above in this table, unless they are close to living and sleeping areas
	Girls W.C	1 per 5 boarders	
	Washbasins	1 per 3 boarders	
	Bath and Shower	1 per 10 boarders, minimum 25% to be baths	

Wash Basins

An essential part of any washroom, our wash basins offer the perfect options for any commercial project. From traditional to modern, we offer a diverse range of styles with every product offering produced to the highest quality and affordability





PURE

● Size 600 x 520mm ● White

1 tap hole OL217	S7003908
Full pedestal OL218	S7003909
Semi pedestal OL219	S7003910



PURE

● Size 500/450mm ● White

1 tap hole 500 x 450mm OL220	S7003911
1 tap hole 450 x 435mm OL221	S7003912
Full pedestal OL218	S7003909
Semi pedestal OL222	S7003913



ENTHUSE

● Size 660/600mm ● White

1 tap hole 660 x 490mm OL271	S7004176
1 tap hole 600 x 500mm OL270	S7004175
Full pedestal OL272	S7004177
Semi pedestal OL277	S7004182



ENTHUSE

● Size 560 x 465mm ● White

1 tap hole OL268	S7004173
2 tap hole OL269	S7004174
Full pedestal OL272	S7004177
Semi pedestal OL277	S7004182



MODERN

● Size 650 x 495mm ● White

1 tap hole OL9	S7004009
2 tap hole OL10	S7004010
Full pedestal OL14	S7004011
Semi pedestal OL13	P7004007



MODERN

● Size 600 x 480mm ● White

1 tap hole OL11	P7004005
2 tap hole OL12	P7004006
Full pedestal OL14	S7004011
Semi pedestal OL13	P7004007



MODERN

● Size 550 x 460mm ● White

1 tap hole OL27	P7004016
2 tap hole OL33	P7004017
Full pedestal OL14	S7004011
Semi pedestal OL13	P7004007



MODERN

● Size 450 x 300mm ● White

1 tap hole OL100	S7004077
2 tap hole OL101	S7004078
Full pedestal OL104	S7004081



AQUASAVE - ECO

● Size 550 X 440mm ● White

1 tap hole OL251	S7003803
2 tap hole OL252	S7003804
Full pedestal OL253	S7003805

hotels

leisure

commercial

healthcare

education

Pedestal wash basins



EMBRACE

● Size 550 x 440mm ● White

1 tap hole OL344	S7005904
2 tap hole OL345	S7005905
Full pedestal OL350	S7005910
Semi pedestal OL349	S7005909



EMBRACE

● Size 500 x 420mm ● White

1 tap hole OL342	S7005902
2 tap hole OL343	S7005903
Full pedestal OL350	S7005910
Semi pedestal OL348	S7005908



EMBRACE

● Size 450 x 355mm ● White

1 tap hole OL340	S7005900
2 tap hole OL341	S7005901
Full pedestal OL350	S7005910
Semi pedestal OL348	S7005908



BROADGATE PLUS

● Size 550 x 450mm ● White

1 tap hole OL371	S7005850
2 tap hole OL372	S7005851
Full pedestal OL376	S7005856
Semi pedestal OL375	S7005857



BROADGATE PLUS

● Size 500 x 430mm ● White

1 tap hole OL373	S7005852
2 tap hole OL374	S7005853
Full pedestal OL376	S7005856
Semi pedestal OL375	S7005857



BROADGATE

● Size 450 x 350mm ● White

1 tap hole OL94	S7006018
2 tap hole OL93	S7006017
Full pedestal OL96	S7006019



BSS

● Size 560 x 405mm ● White

2 tap hole OL60	S7006015
Full pedestal OL61	S7006016

hotels

leisure

commercial

healthcare

education



SOLO

● Size 500 x 250mm ● White

1 tap hole OL238

S7003945

Complete with fixings



Can also be used as a sit-on basin

SOLO

● Size 470/400mm ● White

1 tap hole 470 x 470mm OL234

S7003941

1 tap hole 400 x 400mm OL235

S7003942

Basin fixing bolts

S7004033



Can also be used as a sit-on basin

SOLO

● Size 400 x 300mm ● White

1 tap hole OL237

S7003944

Basin fixing bolts

S7004033



REVEAL

● Size 525 x 450mm ● White

1 tap hole OL326

S7003823

Basin fixing bolts

S7004033



ENTHUSE

● Size 400 x 250mm ● White

1 right hand tap hole OL274

S7004179

Complete with fixings



MODERN

● Size 550 x 450mm ● White

1 tap hole OL27

P7004016

2 tap hole OL33

P7004017

Adjustable hanger & waste bracket S7004036



MODERN - Concealed Trap

● Size 520 x 420mm ● White

No tap hole OL141

S7004140

Hanger & clips

S2101012

Basin outlet adapter

S2101011



MODERN

● Size 520 x 420mm ● White

1 tap hole OL30A

S7004020

2 tap hole OL34A

S7004021

Adjustable hanger & waste bracket S7004036



MODERN - no overflow

● Size 390 x 340mm ● White

1 tap hole OL18

P7004008

2 tap hole OL40A

P7004009

Hanger

P7004012

Adjustable waste bracket

P7004013

hotels

leisure

commercial

healthcare

education

Wall hung wash basins



MODERN

● Size 390 x 340mm ● White

1 tap hole OL29	S7004019
2 tap hole OL19A	S7004018
hanger brackets	S7004034



MODERN

● Size 350 x 240mm ● White

1 tap hole OL102	S7004079
2 tap hole OL103	S7004080
Hanger brackets	S7004034



BSS

● Size 560 x 405mm ● White

2 tap hole OL60	S7006015
Towel rail brackets	S2063001



MODERN - Corner

● Size 320mm ● White

1 tap hole OL26	S7004015
Hanger brackets	S7004034



MODERN - Corner

● Size 460mm ● White

1 tap hole OL15	S7004012
2 tap hole OL16	S7004013
Semi pedestal OL17	S7004014
Hanger brackets (need x2)	S7004034

Sit-on wash basins



VILLA

● Size 485 x 425mm ● White

1 tap hole OL333	S7003830
------------------	----------



REVEAL

● Size 525 X 450mm ● White

1 tap hole OL324	S7003821
------------------	----------



MODERN - Square

● Size 480 x 380mm ● White

1 tap hole OL112	S7004089
------------------	----------



ARC

● Size 485 x 340mm ● White

No tap hole OL325	S7003822
-------------------	----------



VOGUE

● Size 415 X 415mm ● White

No tap hole OL332	S7003829
-------------------	----------



MODERN - Round

● Size 460 X 460mm ● White

1 tap hole OL111	S7004088
------------------	----------

hotels

leisure

commercial

healthcare

education



Solo wash basins

A chic range of on-trend squared basins for the ultimate contemporary look, finished with chrome trims for a high quality finish. Solo is available as a sit-on basin, perfect for within commercial environments, as well as chrome legs to create a designer statement.



SOLO

● White

1 tap hole OL263	1000 x 450mm	S7003963
1 tap hole OL262	900 x 450mm	S7003962
1 tap hole OL261	700 x 450mm	S7003961
1 tap hole OL260	600 x 450mm	S7003960



SOLO - Double Bowl

● Size 1200 x 450mm ● White

2 tap hole OL264	S7003964
------------------	----------



SOLO FLOOR STANDS

● Chrome

for Solo Basin 1200mm	S7003969
for Solo Basin 1000mm	S7003968
for Solo Basin 900mm	S7003967
for Solo Basin 700mm	S7003966
for Solo Basin 600mm	S7003965
Solo Towel Rail 450 x 150mm	S7003970

hotels

leisure

commercial

healthcare

education

Semi countertop wash basins



SOLO

● Size 470 x 470mm ● White

1 tap hole OL236

S7003943



ENTHUSE

● Size 540 x 455mm ● White

1 tap hole OL275

S7004180



MODERN

● Size 550 x 450mm ● White

1 tap hole OL24

S7004024

2 tap hole OL36

S7004025



MODERN

● Size 500 x 405mm ● White

1 tap hole OL182

S7004154

2 tap hole OL183

S7004155



REVEAL

● Size 400 x 450mm ● White

1 tap hole OL329

S7003826



EMBRACE

● Size 550 x 440mm ● White

1 tap hole OL346

S7005906

2 tap hole OL347

S7005907



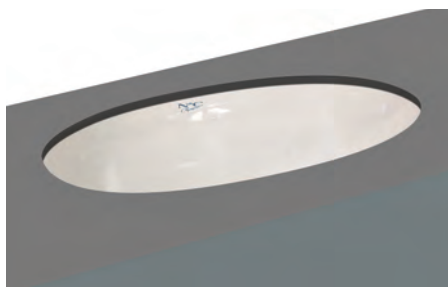
LURE

● Size 430 x 500mm ● White

1 tap hole OL330

S7003827

Undermount wash basins



MODERN

● Size 585 x 450mm ● White

No tap hole OL25

S7004026



REVEAL

● Size 525 x 355mm ● White

No tap hole OL331

S7003828

hotels

leisure

commercial

healthcare

education



ENTHUSE

● Size 526 x 420mm ● White

1 tap hole OL180B

S7004132



MODERN

● Size 560 x 460mm ● White

1 tap hole OL21

S7004022

2 tap hole OL35

S7004023



MODERN

● Size 500 x 430mm ● White

1 tap hole OL180

S7004152

2 tap hole OL181

S7004153



EMBRACE - RECT

● Size 500 x 450mm ● White

1 tap hole OL352

S7005912



EMBRACE - OVAL

● Size 425 x 425mm ● White

1 tap hole OL351

S7005911



FLUSH GRATED WASTE

● Size 32mm ● Chrome

Slotted

S2366500

Unslotted

S2366501



WASTE, PLUG & CHAIN

● Size 32mm ● Slotted ● Chrome

Basin waste, plastic plug & chain S2365001

Basin waste, chrome plug & chain S2365003



PRESSFLO WASTE

● Size 32mm ● Slotted ● Chrome

Basin waste

P6848501



CLICKER WASTE

● Size 32mm ● Chrome

Basin waste slotted

S2172023

Basin waste unslotted

S2172024



MUSHROOM CLICKER WASTE

● Size 32mm ● Chrome

Basin waste slotted S7007235

Basin waste unslotted S7007236



BOTTLE TRAP

● Chrome on Plastic

32mm bottle 'P' trap

S2372001



BOTTLE TRAP

● White Plastic

32mm bottle 'P' trap

S2371001

38mm bottle 'P' trap

S2371011

hotels

leisure

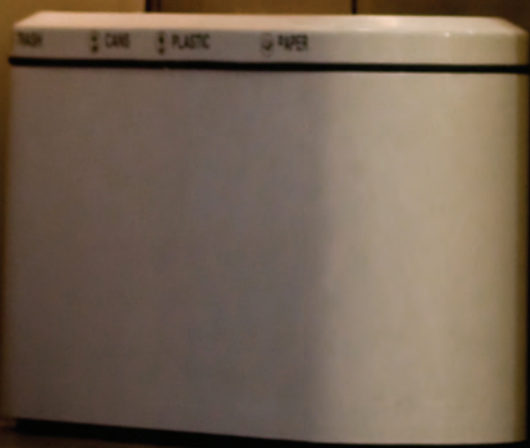
commercial

healthcare

education

W.C's

W.C's are selected with the intention of making a statement in washroom environments, as well as for their functional benefits, comfort and eco requirements. We supply back to wall, close coupled, low level, high level, childrens and are inventors of the raised height pans for the elderly and those with different levels of abilities.





PURE

● 6/3Ltr flush ● Size 370 x 555mm ● White
 Pan OL213 S7003903
 Soft close seat & cover S7003901



SOLO

● 6/3Ltr flush ● Size 380 x 505mm ● White
 Pan OL226 S7003933
 Seat & cover S7003931
 Soft close seat & cover S7003948



ENTHUSE

● 6/3Ltr flush ● Size 355 x 547mm ● White
 Pan OL276 S7004181
 Seat & cover S7004172
 Soft close seat & cover S7004178



MODERN - Rimless

● 6/3Ltr flush ● Size 345 x 530mm ● White
 Pan OL135 S7004146



MODERN - ECO

● 4/2.6Ltr flush ● Size 365 x 545mm ● White
 Pan 4ltr OL370 S7004130



MODERN

● 6/3Ltr flush ● Size 375 x 540mm ● White
 Pan OL4B S7004005



EMBRACE

● 6/3Ltr flush ● Size 360 x 540mm ● White
 Pan OL353 S7005915
 Seat & cover S7005916
 Soft close seat & cover S7005917



BROADGATE PLUS

● 6/3Ltr flush ● Size 355 x 535mm ● White
 Pan OL157A S7004059



PENTLAND - Raised Height

● 6/3Ltr flush ● Size 365 x 555mm ● White
 Pan 450mm high OL5B P7004004



EMBRACE - Raised Height

● 6/3Ltr flush ● Size 360 x 520mm ● White
 Pan 450mm high OL354 P6820607
 Seat & cover S7005916
 Soft close seat & cover S7005917



MODERN - Rimless 355mm

● 6/3Ltr flush ● Size 335 x 490mm ● White
 Pan 355mm high OL136 S7004147
 Seat & cover S2182514



MODERN - 355mm

● 6/3Ltr flush ● Size 375 x 515mm ● White
 Pan 355mm high OL75 S7004058
 Open front seat S2182502

See page 38 - 39 for cistern options

hotels

leisure

commercial

healthcare

education

Close coupled W.C's



PURE

● 6/3Ltr Flush ● Size 390 x 660mm ● White

Pan OL215	S7003905
Push button cistern shell OL216	S7003906
Push button fittings	S7003907
Soft close seat & cover	S7003901



SOLO

● 6/3Ltr flush ● Size 380 x 660mm ● White

Pan OL223	S7003929
Push button cistern shell OL224	S7003930
Push button fittings	S7003932
Seat & cover	S7003931
Soft close seat & cover	S7003948



ENTHUSE

● 6/3Ltr flush ● Size 377 x 650mm ● White

Pan OL265	S7004170
Push button cistern & fittings OL266	S7004171
Seat & cover	S7004172
Soft close seat & cover	S7004178



AQUASAVE - ECO

● 4/2.6Ltr flush ● Size 360 x 630mm ● White

Pan OL249	S7003800
Push button cistern shell OL250	S7003801
Push button cistern fittings 4/2.6ltr	S7003802



EMBRACE

● 6/3Ltr flush ● Size 400 x 640mm ● White

Pan OL355	S7005913
Push button cistern & fittings OL356	S7005914
Seat & cover	S7005916
Soft close seat & cover	S7005917



BROADGATE

● Size 470 x 695mm ● White

Pan OL53	S7006004
Cistern Options	
Push button cistern & fittings OL155 6/3Ltr	S7006050
Push button cistern & fittings OL156 4/2.6Ltr	S7006049



PENTLAND - Raised Height

● 6/3Ltr flush ● Size 470 x 705mm ● White

Pan 450mm high OL2B	P7004001
Cistern Options	
Lever flush cistern shell OL31	P7004002
Lever cistern fittings	P7004003
Push button cistern shell OL44	S7004046
Push button fittings	S7006008
Screw down lid cistern shell OL98RS	S7004075
Lever cistern fittings	S7004076



EMBRACE - Raised Height

● 6/3Ltr flush ● Size 385 x 750mm ● White

Pan 450mm high OL357	P6820605
Push button cistern & fittings OL358	P6820606
Flexible tap connector	S9920022
Seat & cover	S7005916
Soft close seat & cover	S7005917



ECONOMY - Raised Height

● 6/3Ltr flush ● Size 456 x 700mm ● White

Pan OL385	P6820600
Cistern Options	
Lever flush cistern shell OL386	P6820601
Spatulate lever fittings	P6820602
Push button cistern shell	P6820604
Push button fittings	S7006008

hotels

leisure

commercial

healthcare

education



BROADGATE PLUS

● 6/3Ltr flush ● Size 365 x 635mm ● White
Pan OL377 S7005858

Push button cistern & fittings OL378 S7005859

Seat & cover S7005860

Soft close seat & cover S7005861



BROADGATE

● 6/3Ltr flush ● Size 470 x 695mm ● White
Pan OL53 S7006004

Lever flush cistern shell OL54 S7006005

Lever cistern fittings S7006006



MODERN

● Size 395 x 645mm ● White
Pan OL1B S7004001

Cistern Options

Lever flush cistern shell OL3 S7004002

Lever cistern fittings 6/3Ltr S7004003

Push button cistern shell OL44 S7004046

Push button cistern fittings 6/3Ltr S7006008

Push button cistern shell OL44 S7004046

Push button Eco fittings 4/2.6ltr S7004156

Screw down lid cistern shell OL98RS S7004075

Lever cistern fittings 6/3Ltr S7004076

Low level W.C's



PENTLAND - Raised height

● 6/3Ltr flush ● Size 365 x 555mm ● White
Pan 450mm high OL5B P7004004



ECONOMY - Raised height

● 6/3Ltr flush ● Size 365 x 503mm ● White
Less abled Pan OL140 P6830102



MODERN - 305mm

● 6/3Ltr flush ● Size 300 x 430mm ● White
Pan 305mm high OL39 S7004045

Open front seat only white S2182512

Open front seat only black S2182511



MODERN - 355mm

● 6/3Ltr flush ● Size 360 x 485mm ● White
Pan 355mm high OL74A S7004057

Seat only S2182513



BSS

● 6/3Ltr flush ● Size 355 x 460mm ● White
H.O trap pan OL56 S7006010

P trap pan OL57 S7006011

S trap pan OL58 S7006012

See page 38 - 39 for cistern options

hotels

leisure

commercial

healthcare

education



PURE

● 6/3Ltr flush ● Size 370 x 540mm ● White
Pan OL210 S7003900
Soft close seat & cover S7003901



SOLO

● 6/3Ltr flush ● Size 380 x 505mm ● White
Pan OL228 S7003935
Seat & cover S7003931
Soft close seat & cover S7003948



MODERN

● 6/3Ltr flush ● Size 370 x 530mm ● White
Pan OL6A S7004006



REMA

● 6/3Ltr flush ● Size 370 x 525mm ● White
Pan OL126 S7004103
Seat & cover S7004109



EMBRACE

● 6/3Ltr flush ● Size 360 x 700mm ● White
Pan OL359 P6820608
Seat & cover S7005916
Soft close seat & cover S7005917



BRACKET

● White
Floor support brackets & bolts S7004037

See page 39 for cistern frames

hotels

leisure

commercial

healthcare

education



Aquaclean 8000 Plus Care

A shower toilet system that is perfect for those who wish to maintain independence and privacy in the bathroom. The shower toilet combines all the functions of a conventional W.C. and bidet, with the comfort of warm-air drying.



AQUACLEAN 8000 PLUS CARE
 ● Size 420 x 735mm ● White
 W.C suite OL400 P1400022



Total control at your fingertips



Gentle, invigorating shower



Warm and dry



AQUACLEAN 8000 PLUS
 ● Size 420 x 430mm ● White
 Wall mounted OL401 P1400027



AQUACLEAN 5000 SEAT
 ● Size 385 x 507mm ● White
 Enhancement seat OL402 P1400031



AQUACLEAN SELA
 ● Size 385 x 578 x 380mm ● White
 Wall mounted OL404 P1400035

Concealed Cistern's



Concealed cistern units are the ideal solution for creating a streamlined look by effectively hiding all plumbing within fitted furniture, behind tiles or partitions. Perfect for use in either domestic or commercial environments, we offer a huge range of flushing mechanisms for the ultimate finish to any project. Choose from one of our attractive push buttons cisterns, dual or single flush plates, levers and touch free electronic sensors for environments requiring increased hygienic benefits.

It is every person's right to be able to flush the toilet after use, however weak hands or joints can prevent this essential task. Our spatulate cistern flush levers require only 25% of the force needed for standard levers.



TORRENT - Dual Flush Concealed Cistern
 ● 6/4Ltr ● Size 420 x 135 x 300mm
 Push button cistern side supply S2156490



KNIGHT - Concealed Cistern
 ● Size 505 x 146 x 285mm ● 6/4Ltr
 Lever flush cistern side supply S2156495



Compact - Concealed Cistern
 ● Size 336 x 140 x 320mm ● 6/4Ltr
 Push button cistern S2157000



VANTAGE - Dual Flush Concealed Cistern
 ● 6/4Ltr ● Size 460 x 125 x 369mm
 Push button cistern side supply S2156533



JOLLY - Dual Flush Concealed Cistern
 ● 6/4Ltr ● Size 340 x 130 x 380mm
 Push button cistern bottom supply S2157001

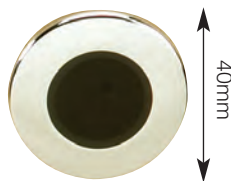


MINIFLO - Dual Flush Concealed Cistern
 ● 6/4Ltr & 4/2.6Ltr ● Size 411 x 131 x 276mm
 Push button cistern side supply S2163505
 Push button cistern bottom supply S2163506

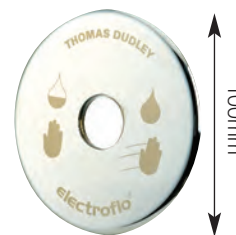


SPATULATE LEVER

● Chrome
 For exposed cisterns P6830810
 For concealed cisterns P6830821



ELECTROFLO - Dual Flush Sensor
 ● 6/4Ltr ● Size 460 x 125 x 369mm
 Battery operated side supply S7004220
 Mains operated side supply S7004221



ELECTRO FLO - Dual Flush Sensor
 ● 6/4Ltr ● Size 460 x 125 x 369mm
 Battery operated side supply S7004222
 Mains operated side supply S7004223

Our Electroflo range is an innovative W.C. flushing system that offers the ultimate in hygiene through its touch-free, infra-red sensor operation. Users can select whether to activate a reduced or full flush, through the interactive sensor.

hotels

leisure

commercial

healthcare

education



DUOFIX FRAME A - Front Fix Plate
 ● For Wall Hung Pans ● Concealed ● 6/4Ltr
 Pre wall frame with brackets S6100005



DUOFIX FRAME B - Front/top fix plate
 ● For Wall Hung Pans ● Concealed ● 6/4Ltr
 Frame 0.82 m S6100008
 Frame 0.98 m S6100040
 Frame hose for use with 0.82m/0.98m S6100036



DUOFIX C - Front fix plate
 ● Concealed ● 6/4Ltr
 Single/dual flush cistern S6100015

suitable for Duofix frame A + C



SIGMA O1
 ● 246 x 164mm ● Gloss chrome
 Dual flush plate S6100050

suitable for Duofix frame A + C



TANGO - Single flush
 ● Size 246 x 142mm ● Chrome
 Gloss chrome S6100018
 Matt chrome S6100019

suitable for Duofix frame B



KAPPA 20
 ● 213 x 142mm ● Gloss chrome
 Dual flush plate S6100041

suitable for Duofix frame B



KAPPA 21
 ● 212 x 142mm ● Gloss chrome
 Dual flush plate S6100060

Low/High Level Cisterns



TRISHELL
 ● Heavy Duty ● 6/7/9 Ltrs ● Single flush
 High level black cistern with chain pull S2171501
 High level white cistern with chain pull S2171502
 Low level black cistern lever flush S2163502
 Low level white cistern lever flush S2163501



MODERN
 ● Low Level ● 6/3Ltrs ● Reversible Lever
 Cistern shell OL43R S7004038
 Lever cistern fittings S7004039



MODERN - Screw Down Lid
 ● Low Level ● 6/3Ltrs ● Reversible Lever
 Screw down lid cistern shell OL97RS S7004073
 Lever cistern fittings S7004074

hotels

leisure

commercial

healthcare

education

Toilet Seats



SEAT AND COVER - Top Fix

● Size 375 x 455mm ● S/Steel Hinges
White S2182707



SOFT CLOSE - Top Fix

● Size 378 x 456mm ● S/Steel Hinges
White S2182710



MED WEIGHT SEAT AND COVER

● Size 370 x 438mm ● Plastic Hinges
White S2181002
Black S2181001



SINGLE FLAP SEAT - Top Fix

● Size 461 x 387mm ● S/Steel Hinges
White S2182515



SINGLE FLAP SEAT

● Size 461 x 387mm ● Chrome Hinge & Rod
White S2180510
Black S2180011



BSS SEAT AND COVER

● Size 387 x 461mm ● Plastic Hinges
White S2180502
Black S2180501



BSS SEAT AND COVER

● Size 370 x 438mm ● Chrome hinge & Rod
White S2180512
Black S2180511



CHILDS SEAT AND COVER

● Size 391 x 350mm ● S/Steel Hinges
White to suit OL136 355mm pans S2182514



CHILDS SEAT

● Size 457 x 376mm ● S/Steel Hinges
White to suit OL74A 355mm pans S2182513



CHILD OPEN FRONT SEAT

● Size 305 x 435mm ● S/Steel Hinges
White to suit 305mm pans S2182512
Black to suit 305mm pans S2182511



OPEN FRONT SEAT

● Size 395 x 443mm ● Plastic Hinges
White to suit 355mm pan & Std pans S2182502
Black to suit 355mm pan & Std pans S2182501

hotels

leisure

commercial

healthcare

education



Advanced Toilet Seat

Great stress is applied to the toilet seat when transferring laterally from a wheelchair, therefore it is essential to provide a strong seat capable of withstanding this treatment. Our seat has strong stainless steel hinges, lugs, which grip the inside of the pan to give added strength and has built in anti-microbial protection. Where a seat with a cover is chosen, this lid also offers useful lumbar support, when combined with a close coupled suite. This would not impede transfer as the lid sits further back than the leading edge of the flushing lever.

ADVANCE SEAT

● Size 368 x 440mm ● Stainless Steel Hinges

White with retaining buffers	P6833802
Blue with retaining buffers	P6833803
White & cover with retaining buffers	P6833804
Blue & cover with retaining buffers	P6833805



Designed for easy clean



Retaining buffer prevent lateral movement



Big John

The Big John toilet seat has the largest luxuriously contoured sitting surface with a larger size opening for comfort.

- Ultra-wide and contoured 19" / 48cm
- 75% more seating area than a regular seat
- 2" higher than a regular toilet seat
- Strong stainless steel hinges
- Engineered to fit to any W.C. bowl
- Extra large stabilising bumpers
- Tested to withstand 380kg / 60 stone

BIG JOHN

● Size 490 x 490mm ● Stainless Steel Hinges
White P1400045



SafeFlush

Each time your toilet is flushed, whether the lid is up or down, a fine mist containing micro-bacterial organisms from the toilet become airborne and is spread throughout the bathroom.

The double seal on the SafeFlush seat creates a seal between the lid and seat as well as the base of the seat and the bowl, helping to ensure that germs and bacteria are kept where they belong.



SAFE FLUSH - SOFT CLOSE

● Size 378 x 430mm ● Stainless Steel Hinges

Seat & cover with retaining buffers P6833810

hotels

leisure

commercial

healthcare

education

Urinals

Choose from our innovative, odourless urinal system or from our broad range of quality concealed and exposed urinal systems dependent on the project environment and usage.



MEN





MODERN - Exposed Trap
 ● Size 380 x 510 x 330mm ● White
 Bowl OL22B S7004027



MODERN - Corner
 ● Size 340 x 500 x 410mm ● White
 Bowl OL95 S7004072



MODERN - Concealed Trap
 ● Size 380 x 575 x 330mm ● White
 Bowl OL38 S7004044



TRIDENT - Concealed Trap
 ● Size 305 x 690 x 340mm ● White
 Bowl OL322 S7003833



PENDULUM - Exposed Trap
 ● Size 380 x 650 x 300mm ● White
 Bowl OL321 S7003832



PENDULUM - Concealed Trap
 ● Size 380 x 650 x 300mm ● White
 Bowl OL320 S7003831



EMBRACE - symphonic
 ● Size 320 x 590 x 330mm ● White
 Bowl OL360 S7005918



URINAL DIVIDER
 ● Size 310 x 630mm ● White
 Divider OL23 S7004028



DOMED GRATING WASTE
 ● White Plastic
 38mm for exposed traps S2366503
 38mm for concealed traps S2366504



URINAL FLUSH CONTROLLER
 ● Auto Sensor
 Battery S2192401
 Mains operated S2192400



CISTERMISER
 ● Infrared - Valve & Ceiling Kit
 Electronic S2199045
 Low pressure S2199040
 Standard S2199041
 High sensitivity S2199042



DUOFIX FRAME
 ● Blue ● For Wall Hung Urinals
 Duofix S6100061
 Infrared control - main operated S6100062

Please see page 122 for pipes and spreader options



Waterless Urinals

Water conservation within the UK is more important today than its ever been, with less water available per person than almost any other EU country. Water management within businesses, government organisations and homes is critical in order to reduce water wastage as well as utility bills, especially during a time when energy prices are soaring.

N&C have developed a revolutionary waterless system that combats problems associated with bad odours whilst helping save money by reducing the water consumption by up to an average of 30,000 litres of water in a controlled environment.*

Key Water Facts:

A standard flush urinal can use up to 150,000 litres of water per year

Part G demands a reduction of 105 litres per person per day

- **N&C Waterless Key-Valve allows a flow into the drain only, preventing a backflow of gases and eliminating odours**
- **Save over 30,000 litres of water per N&C Waterless Key-Valve to help with reduced water consumption**
- **Fast and easy to install in over 98% of existing water and waterless urinals**
- **A minimum of 7500 uses per N&C Waterless Key-Valve**
- **Aromatic Key-Ring with a green gel optical indicator to clearly state when it is ready for renewal.**
- **Unique odourless trap system**

Service Key
S2159002

Key Valve E
S2159011

Key Adaptor
S2159012

Key Adaptor
Backnut
S2159013

90° Waste
Connection
S2159020
(optional)



The N&C Waterless Key Valve has a key which keeps the trap 75mm away from the hands of the cleaner or maintenance staff.

The old N&C Waterless Key Valve is removed in one action from the bowl with the key and can be deposited straight onto the waste bag and sent off for recycling as it retains NO URINE.

The new valve is connected to the key and hygienically inserted directly in a single movement without the need to touch the bowl.

*per key valve

hotels

leisure

commercial

healthcare

education



WATERLESS URINAL

● OL137 ● Size 380 x 330mm ● White

Exposed trap OL137 S7004148



WATERLESS URINAL

● OL138 ● Size 380 x 330mm ● White

Concealed trap OL138 S7004149

Case Study:
 Arriva London Services
 Bus Depots
 Arriva trialed the N&C Waterless Urinal technology at their busy Enfield Depot over a three month period in early 2013.

Problem
 Some 350 to 400 drivers shift working through a 24/7 operational period, resulted in heavy water consumption.

Solution
 The challenge of conserving water and maintaining a pleasant environment within the normal cleaning regime was met by the N&C Key Valve System.

Outcome
 This trial was successfully implemented, adapting existing urinals to receive the system and taking the opportunity to renew the waste drainage in the process. The N&C Key Valve System was rolled out to a further 13 depots in the region.



KEY VALVE SYSTEM

● Waste Kit

Service key S2159002

Key valve S2159011

Key adaptor S2159012

Key adaptor backnut S2159013



REPLACEMENT KEY VALVE

● Approx 7500 uses ● Optical indicator

Key valve S2159011



90° WASTE CONNECTOR

● Odour ploom ● For waterless urinals

90° waste S2159020



MAINTENANCE SET 1E

● Approx annual maintenance per urinal

● 250ml diluted spray solution

Low frequency areas S2159010



MAINTENANCE SET 3E

● Approx annual maintenance per urinal

● 1ltr diluted spray solution

High frequency areas S2159006



ADAPTER

● To convert cartridge urinal wastes

Waterless urinal adapter S2159005

Key valve to suite S2159000

Taps & Mixers

Taps add the perfect finishing touch to the aesthetic of any washroom. With a huge range of styles from traditional to trendy, to reduced flow requirements suitable for different tastes, budgets and environments.





SENSOR

● Min pressure 0.2bar ● Chrome
Battery operated wall mixer S7007400



SENSOR

● Min pressure 0.2bar ● Chrome
Mains operated wall mixer S7007401



SENSOR

● Min pressure 0.5bar ● Chrome
Battery operated wall mixer S7007402
Mains operated wall mixer S7007403



TOUCH SENSOR

● Min pressure 0.5bar ● Chrome
Battery operated basin mixer S7007404



INFRARED SENSOR

● Min pressure 1.0bar ● Chrome
Mains operated basin mixer S7007372



INFRARED SENSOR

● Min pressure 1.0bar ● Chrome
Mains operated basin mixer S7007374



PHLEXITHERM

● Min pressure 0.2bar ● Chrome
Basin mixer P6840905



SEQUENTIAL

● Min pressure 0.2bar ● Chrome
Thermostatic basin mixer P6840908



THERMOSTATIC

● Min pressure 0.2bar ● Chrome
Wall mounted basin mixer S7007407



NON CONCUSSIVE

● Min pressure 0.5bar ● Chrome
Basin mixer S7007371



NON CONCUSSIVE

● Min pressure 0.5bar ● Chrome
Basin taps pair S7007370



NON CONCUSSIVE

● Min pressure 0.5bar ● Chrome
Basin taps pair S7007365

hotels

leisure

commercial

healthcare

education



NOVA CUBE DIGITAL

● Touch Screen Control Panel ● Chrome

● Min pressure 0.5bar

Waterfall basin mixer

S7007375



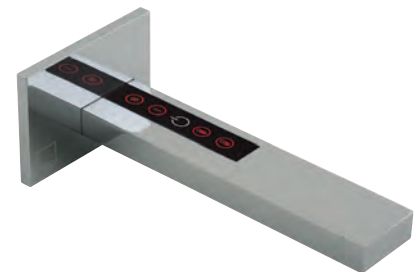
NOVA CUBE DIGITAL

● Digital Touch Screen ● Chrome

● Min pressure 1.0bar

Basin mixer

S7007377



NOVA CUBE DIGITAL

● Digital Touch Screen ● Chrome

● Min pressure 1.0bar

Basin mixer

S7007378



NOVA CUBE DIGITAL

● Touch Screen Control Panel ● Chrome

● Min pressure 0.5bar

Waterfall basin mixer

S7007376

Nova Cube Digital Touch Screen

An impressive digital touch screen, basin mixer with an attractive open channel waterfall spout and colour assisted temperature control that transforms the ambience of the room based on the temperature of the water.

The ideal solution for creating a great impression in modern commercial projects, contemporary offices, shopping centres or hotels.



hotels

leisure

commercial

healthcare

education



NOVA CUBE

● Min pressure 0.2bar ● Chrome

Basin mixer with clicker waste S7007220



NOVA CUBE

● Min pressure 0.5bar ● Chrome

Mini basin mixer with clicker waste S7007222



NOVA CUBE

● Min pressure 0.2bar ● Chrome

Tall basin mixer with clicker waste S7007221



QUADRO

● Min pressure 0.5bar ● Chrome

Basin mixer with pop up waste S7007335



QUADRO

● Min pressure 0.5bar ● High Reach ● Chrome

Basin mixer with pop up waste S7007336



QUADRO

● Min pressure 0.5bar ● High Reach ● Chrome

Sink mixer S7007338



RESPONSE

● Min pressure 0.2bar ● Chrome

Basin mixer with pop up waste S7007296



RESPONSE

● Min pressure 0.2bar ● Chrome

High reach sink mixer S7007298



QUINTO ECOFLOW

● Min pressure 0.2bar ● Chrome

Basin mixer with pop up waste S7007344



QUINTO ECOFLOW

● Min pressure 0.2bar ● Chrome

Sink mixer S7007345



SOLO

● Min pressure 0.2bar ● Chrome

Basin mixer with pop up waste S7007200

Basin mixer with clicker waste S7007209

Basin mixer with flow restrictor S7007210



SOLO

● Min pressure 0.2bar ● Chrome

Basin taps pair S7007201

hotels

leisure

commercial

healthcare

education



TREND

● Min pressure 0.5 bar ● Swivel ● Chrome
Sink mixer S7007035



TREND

● Min pressure 0.2bar ● Chrome
Basin mixer with pop up waste S7007032



TREND

● Min pressure 0.2bar ● Chrome
Basin taps pair S7007030



DUO DELUXE - Click System

● Min pressure 0.5bar ● Chrome
Basin mixer with pop up waste S7007340



DUO DELUXE - Click System

● Min pressure 0.5bar ● Chrome
Sink mixer S7007342



SPRAY TAP

● Min pressure 0.2bar ● Chrome
Basin mixer tap P6840901



SIMPLICITY

● Min pressure 0.2bar ● Chrome
Basin mixer with pop up waste P6349107



SIMPLICITY

● Min pressure 0.2bar ● Chrome
Basin taps pair P6349101



SIMPLICITY

● Min pressure 0.2bar ● Chrome
Sink taps pair P6349103



PALMA

● Min pressure 0.2bar ● Chrome
Basin mixer with pop up waste S7007323



PALMA

● Min pressure 0.2bar ● Chrome
Basin taps pair S7007324



PALMA

● Min pressure 0.2bar ● Chrome
Sink taps pair S7007328

hotels

leisure

commercial

healthcare

education



CROSS TOP

● 13mm BSP ● Min pressure 0.5bar ● Chrome
Sink taps pair S2327501



CROSS TOP

● 13mm BSP ● Min pressure 0.5bar ● Chrome
Hot bib tap S2326001
Cold bib tap S2326002



CROSS TOP

● 13mm BSP ● Min pressure 0.5bar ● Chrome
Basin taps pair S2327011



KINDERGARDEN

● Min pressure 0.2 bar ● Colourful
Lever basin mixer tap S7007405



KINDERGARDEN - Infrared

● Min pressure 0.5 bar ● Colourful
Battery operated basin tap S7007406



FLOW LIMITER

● Water reduction valve

Basin taps	3.0ltr - Brown	S7007390
Basin/sink mixer	3.5ltr - Blue	S7007391
Basin taps	4.0ltr - Grey	S7007392
Basin/sink mixer	4.5ltr - Pink	S7007393
Basin taps	6.0ltr - Black	S7007395
Basin/sink mixer	6.0ltr - Black	S7007396



THERMOSTATIC VALVES

15mm mixing valve S7007364
22mm mixing valve S7007367



THERMOSTATIC VALVES

15mm mixing valve with service valves S7007363
22mm mixing valve with service valves S7007366

Multi Directional Valves

Multi directional lever operated valves allow the user to deliver hot, cold or mixed temperature water in a controlled and hygienic way.

The valves are simple to install, easy to use, vandal resistant and durable making them ideal for a wide range of applications.



KNEE OPERATED LEVER

● Min pressure 0.1bar ● Chrome
Exposed valve S7007408



KNEE OPERATED LEVER

● Min pressure 0.1bar ● Chrome
Concealed valve S7007409

hotels

leisure

commercial

healthcare

education

Showering

From thermostatic, time flow and anti vandal showering solutions perfect for schools and leisure centres, to high end stylish options for hotels, we offer comprehensive showering solutions suited to varying usage and environments.





SHOWER HEAD

● Min pressure 0.2bar ● Chrome

Concealed or exposed

S7007360



TIME FLOW CONTROL

● Min inlet pressure 0.1bar ● Chrome

Exposed

S7007361



TIME FLOW CONTROL

● Min pressure 0.1bar ● Chrome

Concealed

S7007362



A hygienic, touch-free infrared sensor operated showering solution with a time control function for reduced water consumption in high traffic or unsupervised environments. Made from high quality stainless steel, the panel is fully serviceable with all fixings pre-plumbed and concealed. The perfect solution where hygiene, safety and durability are important factors.

INFRARED SHOWER PANEL

● Infrared Control ● Min pressure 1.0bar

Concealed

S7007412



A robust, vandal resistant shower panel with time flow control push button operation and a TMV3 mixing valve, designed for use in commercial projects such as schools, sports centres and prisons. The high quality construction offers a product with high durability, making it perfect for use in high traffic, hostile environments where durability and safety is key.

TIME FLOW SHOWER PANEL

● Time Flow Control ● Min pressure 0.5bar

Exposed

S7007410



A single entry, vandal resistant shower panel and head designed for durability and strength. The non concussive, push button operation allows for water consumption to be limited. Perfect for schools, sports, centres, prisons and hostile environments where durability and safety is key

TIME FLOW SHOWER PANEL

● Time Flow Control ● Min pressure 0.5bar

Concealed

S7007411

hotels

leisure

commercial

healthcare

education



OPAC THERMOSTATIC

● Min pressure 0.1bar ● Chrome

Exposed mixing valve only P6820145
 Concealed mixing valve only P6820146



PHLEXITHERM THERMOSTATIC

● Min pressure 0.1bar ● Chrome

Exposed shower pack rail 1mtr P6820098



PHLEXITHERM THERMOSTATIC

● Min pressure 0.1bar ● Chrome

Concealed shower pack rail 1mtr P6820099



PALMA THERMOSTATIC

● Min pressure 0.1bar ● Chrome

Exposed shower pack S2314020



PALMA THERMOSTATIC

● Min pressure 0.1bar ● Chrome

Concealed shower pack S2314021



QUADRO THERMOSTATIC BAR

● Min pressure 0.2bar ● Chrome

Exposed mixing valve only S7007357



PALMA THERMOSTATIC BAR

● Min pressure 0.2bar ● Chrome

Exposed mixing valve only S7007369



ESSENCE SHOWER KIT

● 600mm riser rail ● Chrome

1500mm hose S2260032



COMBINED SHOWER KIT

● 900mm grab bar ● Chrome

2000mm hose P6820157



FIXING KIT

● Chrome

Concealed bar mixer fixing kit S2314032



SHOWER FLOW LIMITER

● Water reduction valve

Shower 4.0ltr - Grey P6821486

Shower 6.0ltr - Black P6821487

Shower 8.0ltr - White P6821488

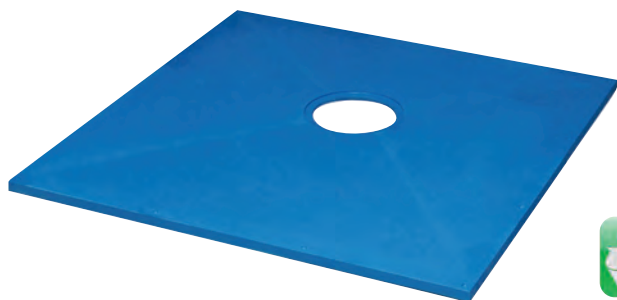
hotels

leisure

commercial

healthcare

education



PREMIER SHOWER DECK - Floor former

- 22mm profile
- 470kg load capacity
- Offset waste position

The Premier Shower Deck is the perfect solution for a total level access wet floor showering area. It is self supporting and made of 50% recycled materials.



The floor former can be installed in an existing concrete or timber floor and it has been designed with the waste outlet located to avoid joists in most circumstances.

PREMIER

900 x 900mm	P6821934	770 x 1135mm	P6821931
1000 x 1000mm	P6821930	800 x 1300mm	P6821932
1200 x 1200mm	P6821936	900 x 1400mm	P6821935
1150 x 1450mm	P6821929	800 x 1500mm	P6821933
		800 x 1800mm	P6821940

- 470kg load capacity
- Self supporting
- 22mm profile
- Can be cut to size



PHLEXIMAX 50

- Size 200mm diameter
- Horizontal drain

P6882441



PHLEXIMAX 50

- Size 200mm diameter
- Vertical drain

P6882398

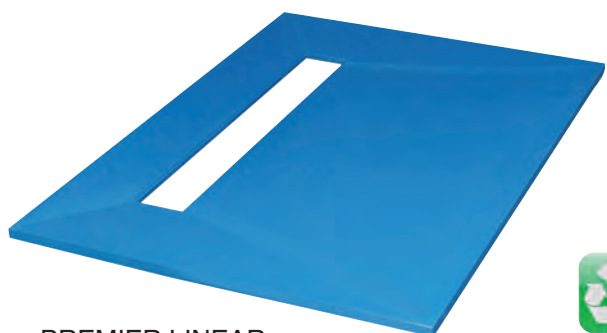


DROP GRATING

- Tiled Floor
- Stainless Steel

155 x 155mm	P6882458
175 x 175mm	P6882463

other options available



PREMIER LINEAR

900 x 1200mm	(600mm drain)	P6821988
1200 x 1200mm	(600mm drain)	P6821987
900 x 1400mm	(800mm drain)	P6821985
900 x 1600mm	(800mm drain)	P6821986

PREMIER LINEAR SHOWER DECK - Floor former

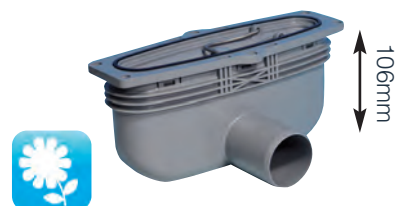
- 22mm profile
- 470kg load capacity
- Flow rate 60ltr per min

The N&C Premier Linear Shower Deck allows you to achieve level access with the ability to extract a higher volume of water out of the shower area.

The floor former can be installed directly onto concrete by removing the screed, or onto timber floors by removing the floorboards and fixing directly onto the joists.



- 470kg load capacity
- Self supporting
- 22mm profile
- Can be cut to size



DRAINAGE SIDE OUTLET

- 50mm Outlet

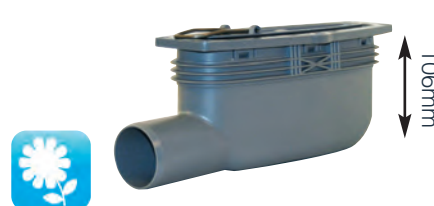
600mm Drop	P6882500
600mm Twist	P6882501
600mm Tile	P6882502
800mm Drop	P6882510
800mm Twist	P6882511
800mm Tile	P6882512



DRAINAGE LOW MINI OUTLET

- 50mm Outlet

600mm Drop	P6882503
600mm Twist	P6882504
600mm Tile	P6882505
800mm Drop	P6882513
800mm Twist	P6882514
800mm Tile	P6882515



DRAINAGE SIDE, SIDE OUTLET

- 50mm Outlet

600mm Drop	P6882506
600mm Twist	P6882507
600mm Tile	P6882508
800mm Drop	P6882516
800mm Twist	P6882517
800mm Tile	P6882518

hotels

leisure

commercial

healthcare

education

Cubicles

Cubicles are enclosed spaces, separated by partitions for use in washrooms, showers and changing rooms in schools, shopping centres, gyms, retail stores and offices. Produced in different colours, sizes and materials, demountable, panels and doors can be used in various building classifications





Our broad collection of cubicles have been designed to meet the needs of the different environmental conditions across industries in terms of durability, performance, functionality, compliance and aesthetics. From highly durable, anti vandal options suited for public washrooms, to aesthetically pleasing options to create a sense of security for school environments.



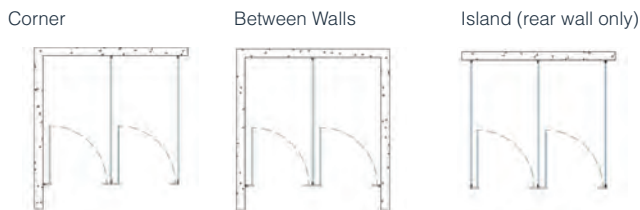
We offer over 84 on-trend colours to choose from, enabling creative flexibility and assisting with specific design or branding requirements. Our fittings and extrusions are designed to allow fast and easy installation to help overcome any issues with tolerance and flexibility on site to avoid any delays.

N&C offer unrivalled specialist expertise in the washroom market with availability and lead times that allow for project deadlines to be met. We engage in the project and can get a N&C representative on site to assist in producing working drawings according to the project requirements. We also produce detailed CAD drawings to assist with on-site installation.

Our pilasters and panels are created in either high pressure laminate, compact solid grade laminate or melamine faced chipboard.

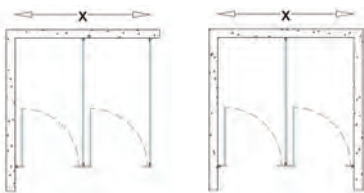
How to Order

1. Identify your cubicle arrangement



2. Advise how many cubicles are in each arrangement
 * Example - Class 3 boys = 2 cubicles between walls

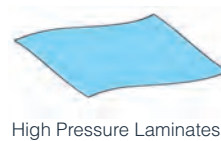
3. Provide overall width of your cubicle arrangements



4. Select door height option (if available)
 * Infant doors - Shaped 1100mm*
 * Junior doors - 3 Quarter High 1500mm*
 * Standard doors - Full Height 1800mm*
 *excludes 150mm adjustable foot

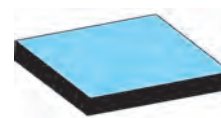
5. Advise if you require an outward opening door
 6. Select door colour - Multicoloured or single coloured

Material Key



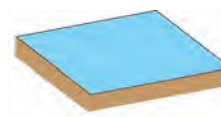
High Pressure Laminates

Our high pressure laminates are perfect for environments that require low maintenance, exceptional durability and versatility with a high resistance against abrasion, impact and general wear. Cubicles that are made from high pressure laminate are impervious to water and maintain its integrity within the most demanding environments. Allowing for creative flexibility, the desired aesthetics can be achieved such as wood effect to create an executive, sophisticated appearance in offices.



Compact Solid Grade Laminate

Tough, wet environments are met with our compact solid grade laminate range, which consists of self supporting decorative panels on both sides and is ideal for use with washroom cubicles, locker doors, wall panels and furniture as it is particularly suited to high humidity environments. Compact Solid Grade is perfect for high traffic, high impact environments due to its hard wearing structural stability, requiring no substrate support (within a 12mm thickness).



Melamine Faced Chipboard

As the most cost effective solution, our range of melamine faced chipboard is a self supporting, moisture resistant board with two decorative panels on the outer sides.

hotels

leisure

commercial

healthcare

education

Cubicles, vanity units and duct panelling colour selector



Material Key:



Mint	Lime	Yellow	Speckled Pink	Purple	Red
Mustard	Gold	Cherry	Speckled Salmon	Retro Pink	Brick Red
Dust Storm	Maple	Cedar	Hickory	Orange	Rose
Cadet Grey	Birch	Ash	Oak	Teak	Walnut
Spanish Grey	Iron Grey	Coarse Iron	Speckled Opal	Rose Wood	Dark Purple
Charcoal	Camel	Speckled Iron	Black & White	Black Wood	Ebony Oak
Coarse Green	Seaweed	Speckled Black	Dark Wood	Speckled Charcoal	Burnt Charcoal

Elemental



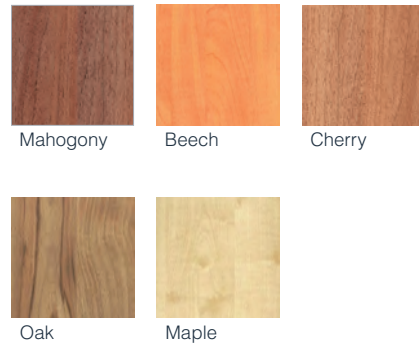


Elemental is a range of stylish cubicles with a sleek design, subtle curves and rounded edges, coupled with real wood imitations for a beautifully balanced and sophisticated aesthetic. Elemental has been designed and created for use in corporate buildings, offices and other commercial buildings for a sophisticated and professional look.

Specially designed heavy duty aluminium pilasters give the Elemental range its hard wearing properties, set alongside a high quality wood laminate finish. Co-ordinating vanity units and IPS panels are available to create the ultimate, professional washroom suite.

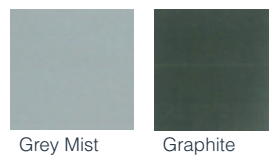


Recommended Door Colour Options



View the entire colour and design selection on pages 58-59

Pilaster Colour Options



Melamine Faced Chipboard

Specification is subject to change without notification dependant on colour selection.

	Materials
Doors	Melamine faced chipboard Moisture resistant 25mm thickness 2mm PVC edging
Partitions	Melamine faced chipboard 25mm thickness 2mm PVC edging
Pilasters	Aluminium pilasters Available in Graphite or Grey Mist Can be epoxy powder coat painted to meet other specific colours
Application	Dry areas
Extras	All ranges are available with our Integral Plumbing System (IPS)

hotels

leisure

commercial

healthcare

education

Dynamic





Our Dynamic range offers the ultimate in cubicle design and functionality with robust, hard wearing and water resistant doors and panels coupled with heavy duty hardware accessories. Designed for both wet and dry areas, Dynamic is the ultimate range for versatility, be it a shower or toilet cubicle for use across sectors such as schools, prisons, leisure centres, retail stores or hospitals.

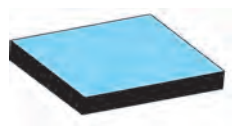
Through its strength and durability, Dynamic is considered the perfect solution for use in high traffic areas where impact, general wear and chemicals are used.

With an impressive range of inspirational colours available, we offer our clients great flexibility which assists with corporate branding, as well as to help create an on-trend, unique and bespoke new design.

Co-ordinating vanity units and IPS panels are available to create the ultimate, professional washroom suite.



View the entire colour and design selection on pages 58-59



Compact Solid Grade Laminate

Specification is subject to change without notification dependant on colour selection.

	Dynamic
Doors	Solid grade laminate 12.5mm thickness Finished edges Water Resistant
Partitions	Solid grade laminate 12.5mm thickness Finished edges
Pilasters	Solid grade laminate 12.5mm thickness Finished edges Pre drilled to receive support leg brackets
Application	Wet areas
Extras	All ranges are available with our Integral Plumbing System (IPS)

hotels

leisure

commercial

healthcare

education

Urban

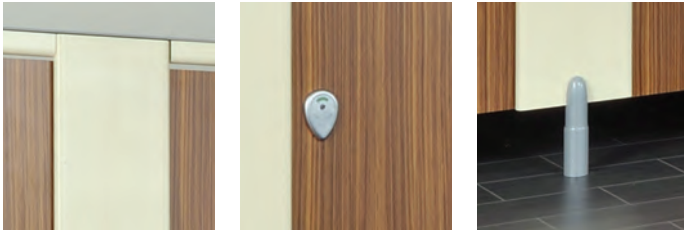




Commercial buildings such as offices, retail outlets and corporate headquarters often require products that reflect their prestige, whilst embracing the need for value.

Urban is a hard wearing, moisture resistant range of cubicles finished with sleek edges and stylish hardware. The range captures urban sophistication for a contemporary, cosmopolitan and professional aesthetic, perfect for offices and other commercial buildings.

Urban is available with co-ordinating IPS panels and vanity units for the ultimate package.



View the entire colour and design selection on pages 58-59

Door Finishes



Melamine Faced Chipboard

Pilaster Finishes



Melamine Faced Chipboard



High Pressure Laminates

Specification is subject to change without notification dependant on colour selection.

	Urban
Doors	Melamine faced chipboard Impact resistant 18mm thickness 2mm edging
Partitions	One piece partition Melamine faced chipboard 18mm thickness 2mm edging
Pilasters	Melamine faced chipboard - High pressure laminate on request 18mm thickness
Application	Dry areas
Extras	All ranges are available with our Integral Plumbing System (IPS)

hotels

leisure

commercial

healthcare

education

City





The City range has been designed to offer a wide variety of choice, with over 80 attractive colours to choose from. Through its high impact and moisture resistant surface, the City range is perfect for use in schools, leisure centres and other commercial buildings such as shopping centres, offices and restaurants .

With easy, hassle free installation in mind, panels can be trimmed on-site, with cut edges concealed by full height extrusions. As a 'one size fits all' configuration, the City range encompasses the ultimate in efficiency and quick installation.

Co-ordinating vanity units and IPS panels are available to create the ultimate, professional washroom suite.

View the entire colour and design selection on pages 58-59

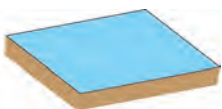


Door Finishes



Melamine Faced Chipboard

Pilaster Finishes



Melamine Faced Chipboard



High Pressure Laminates

Specification is subject to change without notification dependant on colour selection.

	City
Doors	Melamine faced chipboard Impact resistant 18mm thickness 2mm edging*
Partitions	One piece partition Melamine faced chipboard 18mm thickness 2mm edging*
Pilasters	Melamine faced chipboard - High pressure laminate on request 18mm thickness
Application	Dry areas
Extras	All ranges are available with our Integral Plumbing System (IPS)

hotels

leisure

commercial

healthcare

education

Essential





Our entry level, no nonsense range is the ultimate solution for smaller budgets. Perfect for installers, our budget range allows flexibility with easy, hassle free installation in mind. Panels can be trimmed on-site, with cut edges concealed by full height extrusions.

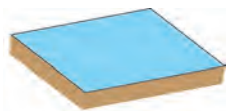
The budget range comes in a maximum width of 1200 x 1850mm and the available colour palette allows for fast, cost effective delivery to site.



Door Colour Options



Pilaster Colour Options



Melamine Faced Chipboard

Specification is subject to change without notification dependant on colour selection.

	Essential
Doors	Melamine faced chipboard 18mm thickness PVC edging
Partitions	Melamine faced chipboard 18mm thickness PVC edging
Pilasters	Melamine faced chipboard 18mm thickness Pre drilled to receive support leg brackets
Application	Dry areas
Extras	All ranges are available with our Integral Plumbing System (IPS)

hotels

leisure

commercial

healthcare

education

Adventura





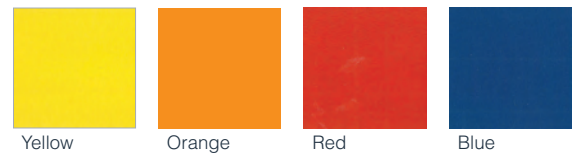
Our Adventura range of cubicles adopts a fun and friendly design approach with children in mind. The welcoming, bold designs are perfect for nursery, primary and junior schools and promote a positive effect from visiting the toilets, which can at a young age be a daunting task to face alone.

Adventura has been designed with child safety being an important factor, so there are no sharp edges and corners or finger traps and comes as a wave shaped half height option that allows adult intervention should a child require assistance.

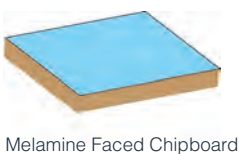
With easy, hassle free installation in mind, panels can be trimmed on-site, with cut edges concealed by full height extrusions.



Door / Panel Colour Options



Optional Pilaster Designs



Melamine Faced Chipboard

Specification is subject to change without notification dependant on colour selection.

	Adventura
Doors	1150mm height Melamine faced chipboard Impact resistant Moisture resistant Shaped doors 18mm thickness 2mm edging
Partitions	One piece partition Melamine faced chipboard Impact resistant Moisture resistant 2mm edging
Pilasters	1300mm(H) x 300mm(W) Melamine faced chipboard Impact resistant Moisture resistant 2mm matching edges Optional pilaster designs: Flowers/Jungle/Sea (installed on site)
Application	Dry areas
Extras	All ranges are available with our Integral Plumbing System (IPS)

hotels

leisure

commercial

healthcare

education

Retrospect



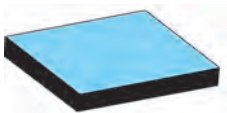


Incorporating new, fun colours and designs, our Retrospect range is perfect for buildings that require an injection of bold, on-trend and uplifting colours and designs for creative interiors.

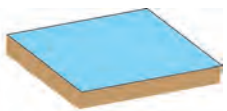
Retrospect is perfect for use in changing rooms or washroom facilities within a retail environment, fast food restaurants or within the education sector. Due to the attractive, curved edges and bold design, Retrospect, is perfect for schools, as it can be utilised throughout a nursery with our half height, wave effect doors, through to primary and secondary school with our full height option for older juniors.



Door Finishes



Compact Solid Grade Laminate

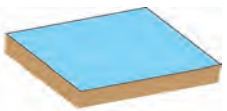


Melamine Faced Chipboard

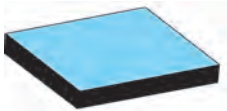
Pilaster Finishes



High Pressure Laminates



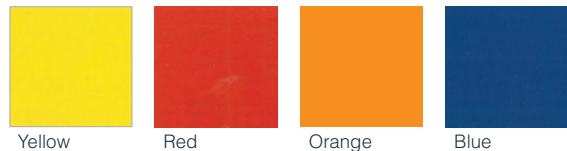
Melamine Faced Chipboard



Compact Solid Grade Laminate

Specification is subject to change without notification dependant on colour selection.

Colour Options



Yellow

Red

Orange

Blue

	Retrospect	Retrospect SL
Doors	Full height or shaped doors available Full Height: 1800mm, shaped doors: 1150mm/1500mm Melamine faced chipboard Impact resistant Moisture resistant 18mm thickness 2mm edging	Full height or shaped doors available Full Height: 1800mm, shaped doors: 1150mm/1500mm Solid grade laminate 12.5mm thickness Water resistant Shaped doors available
Partitions	Two part partition Melamine faced chipboard Impact resistant Moisture resistant 18mm thickness 2mm edging	Solid grade laminate 12.5mm thickness
Pilasters	1950mm(H) x 200mm(W) Melamine faced chipboard Impact resistant Moisture resistant 2mm matching edges	1950mm(H) x 200mm(W) Solid grade laminate 12.5mm thickness
Application	Dry areas	Wet areas
Extras	All ranges are available with our Integral Plumbing System (IPS)	

hotels

leisure

commercial

healthcare

education

Candy Burst





Candy Burst is our attractive and highly functional range of cubicles available in either half height wave, three quarter height or full height door options. The bold colour palette allows commercial buildings such as school washrooms and showering areas, leisure centres, shopping centres and retail stores to inject a fun, uplifting washroom environment which reinforces positive behaviour.



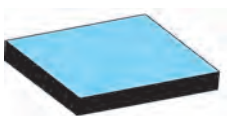
Candy Burst is available on a fast delivery turnaround so is perfect for school refurbishment projects where lead times will set a project back, or in an environment where significant commercial downtime is not an option.

Through a compact grade laminate and SAA finished hardware, Candy Burst is designed to offer the highest level of durability and impact resistance.

Door / Panel Colour Options



- * Infant doors - Shaped 1100mm*
 - * Junior doors - 3 Quarter High 1500mm*
 - * Senior doors - Full Height 1750mm*
- *excludes 150mm adjustable foot



Compact Solid Grade Laminate

Specification is subject to change without notification dependant on colour selection.

	Candy Burst
Doors	Solid grade laminate 12.5mm thickness Finished edges Water resistant
Partitions	Solid grade laminate 12.5mm thickness Finished edges Shaped or full height options Available in Xenon
Pilasters	Tube headrails, supplied pre-assembled Finished edges Available in 250mm or 350mm widths
Application	Wet areas
Extras	All ranges are available with our Integral Plumbing System (IPS)

hotels

leisure

commercial

healthcare

education

Duct Panelling & IPS Systems



h



Our Duct Panelling System offers clients a cost effective solution for projects where concealed plumbing is required. Made to order, our panelling is made from 18mm multi-layer birch plywood frame fitted with either a half wall, full wall or demountable panel, available in over 84 colours (also sold separately).

Our IPS pre-plumbed manufactured modules are made from fully adjustable steel frames with demountable decorative panels, laminated shadow gaps to facilitate tolerances, plumbing, sanitaryware, supply & soil connections and all fixings.

On site, the modules are lightweight and easy to handle, making installation even quicker. To complete the job, a qualified plumber can simply make the final connection of water supply and soil pipe work to the pre-plumbed cistern and sanitaryware.

Materials



High Pressure Laminates



Compact Solid Grade Laminate



Melamine Faced Chipboard

View the entire colour and design selection on pages 58-59



hotels

leisure

commercial

healthcare

education

Vanity Units



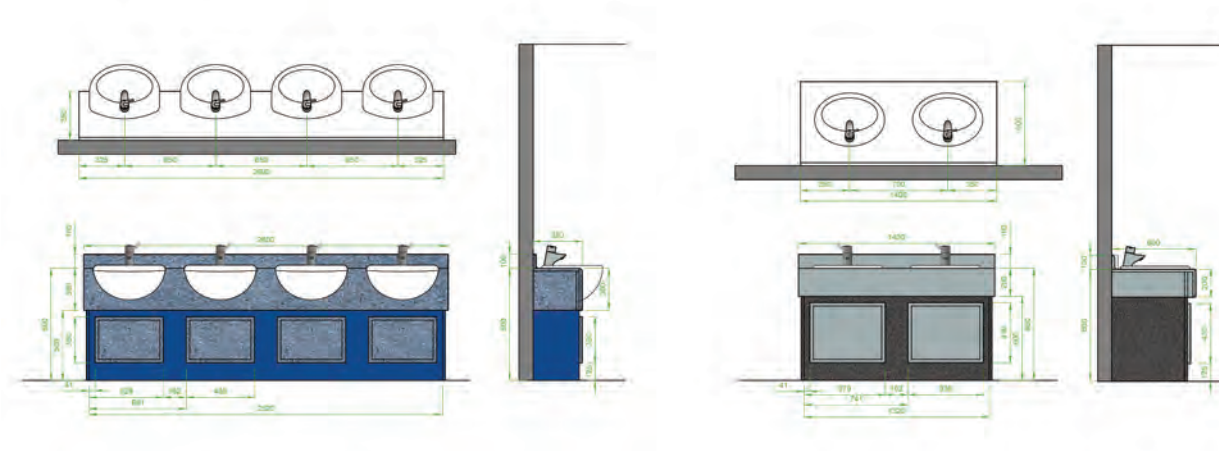


A necessity in any commercial washroom, vanity units are the focal point and often complements the style and design relevant to its environment. N&C offer a wide range of options in a variety of colours, finishes and materials, such as laminate, corian, marble, glass and granite.

Our vanity units are available in a standard single, twin and triple basin options from 700mm to 3000mm wide. We engage in the project, and can get a N&C representative on site to assist in producing working drawings according to the project requirements. We also produce detailed CAD drawings to assist with onsite installation

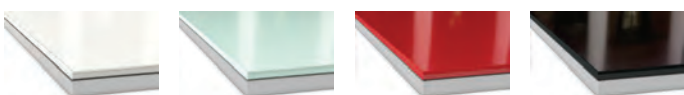


As manufacturers, we offer a vast collection of basins from inset, sit on or semi recessed, with a wide choice of taps to suit. Our vanity access panels are available as lift off as standard, with the option of hinged and locked panels for secured access.



Whether client choice is focused on concealing fittings or they simply require a unit that allows easier cleaning, N&C can assist with the complete washroom design.

Glass Colour Options



White

Atlas

Vermeer

Black

hotels

leisure

commercial

healthcare

education

Lockers & Benches

Changing room furniture needs to be highly durable to withstand tough, demanding environments where there is great exposure to chemicals, moisture and high traffic. We offer a broad assembly of lockers and benches with integrated rail hooks





Lockers and benches are an essential part of any locker room, gym or school changing room. Our broad range of versatile lockers and benches can be produced to a variety of configurations, colours, materials and lock types to suit the intended environment.

Our bench and seating collections are made from stainless steel frames to solid grade laminate slats through quality manufacturing.

- Free-standing benches
- Wall mounted back rest and clothes hooks
- Double/single sided free standing seat units
- Locker support frames with integral seating
- Cantilever wall bench



Our locker range is suited to environments across sectors such as education, leisure, retail and hospitals. Designed with optimum storage and security in mind, our lockers are also coated with a Biocote antimicrobial protection to dramatically reduce the levels of harmful bacteria such as e coli and salmonella by up to 99.9%.

- RAL colour match available
- Meets BS 4680 British Standards
- Powder coated with epoxy/polyester colour
- Strong and secure, semi concealed knuckle door hinges
- Choice of locks: Key operated, combination, coin/token and pistol grip for padlock
- Ventilation allowing air to circulate

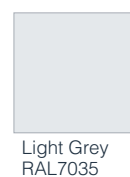


Single door Two door Three door Four door

Door Colour Options



Body Colour



hotels

leisure

commercial

healthcare

education

Accessories

The quality and ease of use relating to washroom accessories such as hand dryers, towel dispensers, soap dispensers, holders and mirrors all add to the overall washroom experience





HIGH SPEED HAND DRYER

● Satin Stainless Steel ● 1.5KW

10 second dry

S2939010



HEAVY DUTY HAND DRYER

● Satin Stainless Steel ● 2.2KW

15 second dry

S2939011



DIGITAL DISPLAY HAND DRYER

● Satin Stainless Steel ● 2.4KW

S2939012



HAND DRYER

● Satin Stainless Steel ● 2.2KW

Hands free swivel head

S2939005



HAND DRYER

● Satin Stainless Steel ● 2.4KW

Hands free fixed head

S2939006



HAND DRYER

● Satin Stainless Steel ● 2.4KW

Hands free swivel head

S2939007



HAND DRYER

● White Steel ● 2.4KW

Hands free fixed head

S2939008

Hands free swivel head

S2939009



HAND DRYER

● Chrome Plated ● 1.8KW

Hands free

S2939002



HAND DRYER

● Satin Stainless Steel ● 2.2KW

Hands free fixed head

S2939004



HAND DRYER

● White ● ABS ● 1.8KW

Push button

S2939000



HAND DRYER

● White ● ABS ● 1.8KW

Hands free

S2939001



HAND DRYER

● White ● ABS ● 2.2KW

Hands free

S2939003

hotels

leisure

commercial

healthcare

education

Accessories



DIRECTOR - locking cover

● Size 321 x 116 x 143mm ● Stainless Steel
Soap dispenser S2192402



DIRECTOR - locking cover

● Size 301 x 144 x 138mm ● Stainless Steel
Double toilet roll dispenser S2192403



DIRECTOR - locking cover

● Size 355 x 275 x 112mm ● Stainless Steel
Paper towel dispenser S2192404



DIRECTOR - locking cover

● Size 460 x 355 x 168mm ● Stainless Steel
Wall mounted waste bin S2192405



DIRECTOR - locking cover

● Size 230 x 110 x 111mm ● Stainless Steel
Wall mounted toilet brush holder S2192406



DIRECTOR - locking cover

● Size 260 x 260mm ● Stainless Steel
Toilet tissue dispenser S2942016



DIRECTOR - locking cover

● Size 295 x 102 x 107mm ● Stainless Steel
Infrared soap dispenser S2192407



DIRECTOR - locking cover

● Size 390 x 290 x 224mm ● Stainless Steel
Infrared hand towel dispenser S2192408

hotels

leisure

commercial

healthcare

education



SHINE - locking cover
 ● Stainless Steel ● Size 255 x 130 x 120mm
 Soap dispenser 900ml S2942022



SHINE - locking cover
 ● Stainless Steel ● Size 310 x 180 x 125mm
 Toilet tissue dispenser cap 220mm S2942021



SHINE - locking cover
 ● Stainless Steel ● Size 325 x 325 x 150mm
 Hand towel dispenser cap 200mm S2942020



SHINE - locking cover
 ● Stainless Steel ● Size 665 x 400 x 185mm
 Waste bin wall mounted 25ltr S2942023



SHINE - locking cover
 ● Plastic ● Size 760 x 400 x 215mm
 Stand for waste bin S2942024



TEAR DROP - locking cover
 ● ABS ● Size 275 x 150 x 130mm
 Tissue dispenser S2944001



TEAR DROP - locking cover
 ● ABS ● Size 325 x 280 x 145mm
 Jumbo roll dispenser S2946501



TEAR DROP - locking cover
 ● ABS ● 900ml ● Size 250 x 115 x 115mm
 Soap dispenser P6834201



TEAR DROP - locking cover
 ● ABS ● Size 280 x 310 x 145mm
 Hand towel dispenser P6834301



TEAR DROP - locking cover
 ● ABS ● 2ltr cap ● Size 310 x 140 x 145mm
 Soap/gel dispenser S2943501

hotels

leisure

commercial

healthcare

education



NOVA

● Size 65 x 145mm ● Chrome

Spare toilet roll holder S6000126



NOVA

● Size 65 x 130 x 158mm ● Chrome

Soap dish S6000127



NOVA

● Size 138 x 41mm ● Chrome

Corner wire soap dish S6000128



NOVA

● Size 135 x 95 x 33mm ● Chrome

Wire soap dish S6000129



NOVA

● Size 162mm dia ● Chrome

Towel ring S6000130



NOVA

● Size 70 x 53mm ● Chrome

Double robe hook S6000131



NOVA

● Size 16 x 36.5mm ● Chrome

Single robe hook S6000132



NOVA

● Size 67 x 33 x 900mm ● Chrome

Retractable clothes line S6000133



NOVA

● 5 litre ● Size 305 x 200mm dia ● Chrome

Pedal bin S6000134



NOVA

● Size 380 x 85mm ● Chrome

Toilet brush and holder S6000135



NOVA

● Size 174 x 86mm ● Chrome

Toilet roll holder S2822001



NOVA

● Size 286 x 86 x 19mm ● Chrome

Double toilet roll holder S6000124

hotels

leisure

commercial

healthcare

education



NOVA
 ● Chrome
 Towel rack 460 x 310mm S6000110
 Towel rack 610 x 316mm S6000111



NOVA
 ● Chrome
 Single towel rail 457 x 82mm S6000112
 Single towel rail 610 x 82mm S6000113



NOVA
 ● Chrome
 Double towel rail 457 x 145mm S6000114
 Double towel rail 610 x 145mm S6000115



NOVA
 ● Towel rack and under rail ● Chrome
 Towel rack 457 x 255mm S6000116
 Towel rack 610 x 255mm S6000117



NOVA
 ● Size 495 x 144mm ● Glass/chrome
 Glass shelf S6000118



NOVA
 ● Size 203mm dia ● Glass/chrome
 Shaving mirror S6000119



NOVA
 ● Size 133 x 116 x 63mm ● Chrome
 Toilet roll holder with cover S6000120



NOVA
 ● Size 142 x 77 x 50mm ● Chrome
 Toilet roll holder S2813001



NOVA
 ● Size 142 x 77 x 50mm ● Chrome
 Toilet roll holder with concealed fittings S2821501



NOVA
 ● Size 160 x 160 x 40mm ● Chrome
 Toilet roll holder recessed S6000125



SIMPLICITY

● Size 415 x 125mm ● Glass/ Chrome

Glass shelf S6000104



SIMPLICITY

● Size 60 x 140 x 110mm ● Chrome

Toilet roll holder S6000101



SIMPLICITY

● Size 640 x 75mm ● Chrome

Towel rail S6000102



SIMPLICITY

● Size 175mm dia ● Chrome

Towel ring S6000103



SIMPLICITY

● Size 130 x 130mm ● Chrome

Soap dish S6000100



SIMPLICITY

● Size 460mm dia ● Chrome

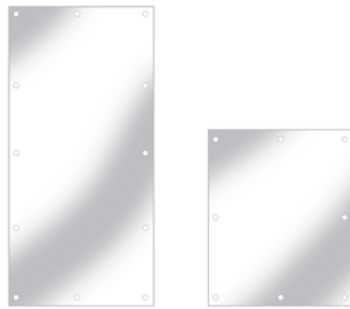
Mirror wall mounted S6000105



SIMPLICITY

● Size 110 x 120 x 100mm ● Chrome

Tumbler holder S6000106

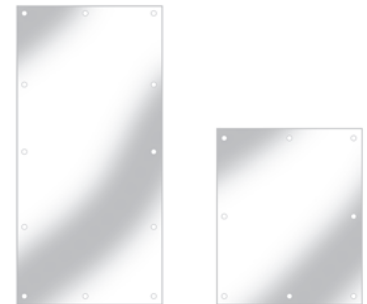


MIRRORS

● Acrylic

600 x 450mm 8 hole P6834121

1000 x 400mm 12 hole P6834131



MIRRORS

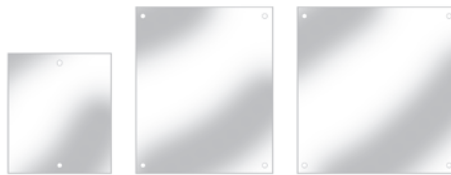
● Stainless Steel

600 x 450mm 8 hole P6834101

1000 x 400mm 12 hole P6834111



Our mirrors are available made to size for any project large or small



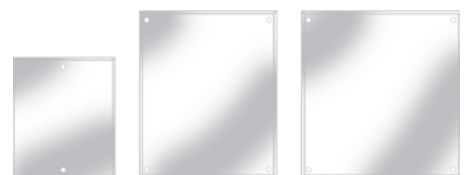
MIRRORS

● PAR Glass ● 4mm

457 x 305mm 2 hole S2000301

610 x 457mm 4 hole S2000302

610 x 610mm 4 hole S2000303



MIRRORS

● Bevelled Glass ● 4mm

457 x 305mm 2 hole S2000304

610 x 457mm 4 hole S2000305

610 x 610mm 4 hole S2000306

hotels

leisure

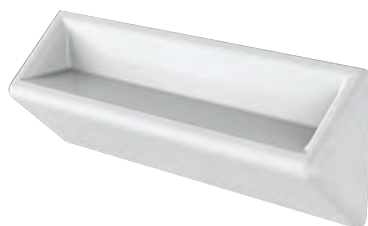
commercial

healthcare

education



Our Resan range of sanitaryware has been engineered using an advanced polymer resin material. Resan products are shatterproof and exceptionally durable making them ideal for use in prisons, detention centres and any other public application where there may be the potential for vandalism or misuse.



RESAN

- Resan ● Size 520 x 195mm ● White
- Shelf satin matt S2192528
- Shelf high gloss S2192529



RESAN

- Resan ● Size 450 x 350mm ● White
- Mirror satin matt S2192530
- Mirror high gloss S2192531



RESAN

- Resan ● Size 297 x 355 x 445mm ● White
- Urinal satin matt S2192526
- Urinal high gloss S2192527



RESAN

- Resan ● Size 458 x 345mm ● White
- Basin satin matt S2192524
- Basin high gloss S2192525



RESAN

- Resan ● Size 400 x 505mm ● White
- Pan satin matt S2192522
- Pan high gloss S2192523

hotels

leisure

commercial

healthcare

education

Stainless Steel

Our stainless steel WCs, wash basins and urinals are designed to provide durability, high performance with good design for public toilets, vandal resistant area's and general washrooms.





WASH BASIN
 ● Size 457 x 357mm ● Stainless Steel
 2 tap hole with support S2103001



WASH BASIN
 ● Size 305 x 270mm ● Stainless Steel
 2 tap hole with support S2103501
 Waste plug & chain 32mm S2103511



INSET WASH BASIN
 ● Stainless Steel
 2 tap hole 400mm diameter S2104601
 2 tap hole 440mm diameter S2104602



INSET BOWL
 ● Size 560 x 380 x 255mm ● Stainless Steel
 No tap hole bowl S3020031
 Waste & overflow 38mm S3020051



INSET WASH BASIN
 ● Stainless Steel
 350mm diameter S3020501
 420mm diameter S3020511
 485mm diameter S3020521
 Waste & overflow 32mm S3020551



JANITORIAL UNIT
 ● Size 500 x 570 x 800mm ● Stainless Steel S2192521



WASH TROUGH
 ● Size 1800mm ● Stainless Steel
 Tap deck for 2 users 1200mm S2192412
 Tap deck for 3 users 1800mm S2192411



WASH TROUGH
 ● Bib taps ● Stainless Steel
 Splashback for 2 users 1200mm S2192439
 Splashback for 3 users 1800mm S2192440



WASH TROUGH
 ● Sensor Taps ● Stainless Steel
 Splashback for 2 users 1200mm S2192441
 Splashback for 3 users 1800mm S2192442



SEMI CIRCULAR WASH TROUGH
 ● Size 1000 x 1205 x 561mm ● Stainless Steel
 Non concussive tap & soap disp S2192413



CIRCULAR WASH TROUGH
 ● Size 1000 x 1205 x 1000mm ● Stainless Steel
 Bib taps S2192414



CIRCULAR WASH TROUGH
 ● Size 1000 x 1205 x 1000mm ● Stainless Steel
 Sensor controlled with 3 soap disp S2192415

hotels

leisure

commercial

healthcare

education



DISPOSAL BIN

● Size 659 x 401 x 116mm ● Stainless Steel
Recessed S2192409



DISPOSAL BIN

● Size 469 x 350 x 130mm ● Stainless Steel
Wall mounted S2192410



Right hand illustrated



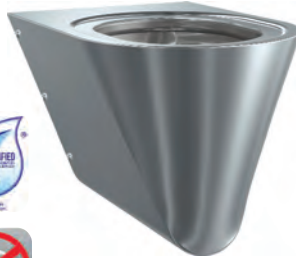
UNIVERSAL PRISON WC UNIT

● Size 699 x 669mm ● Stainless Steel
Left hand S2192416
Right hand S2192417
Centre S2192418



BACK TO WALL PAN - With Shroud

● Size 360 x 500mm ● Stainless Steel
Back to wall pan S2192419
Pan with seat pads S2192420
Pan with black seat S2192421
Pan with white seat S2192422



WALL HUNG PAN

● Size 360 x 500mm ● Stainless Steel
Back to wall pan S2192423
Pan with seat pads S2192424
Pan with black seat S2192425
Pan with white seat S2192426



CLOSE COUPLED

● Size 360 x 670mm ● Stainless Steel
Pan with black seat S2192427



WALL HUNG URINAL

● Exposed pipes ● Stainless Steel
1200mm S2192515
1500mm S2192428
1800mm S2192516
2400mm S2192517

comes complete with cistern



WALL HUNG URINAL

● Concealed pipes ● Stainless Steel
1200mm S2192429
1800mm S2192430
2400mm S2192431

comes complete with cistern



URINAL POD - Concealed

● Wall hung ● Stainless Steel S2190000

hotels

leisure

commercial

healthcare

education



DRINKING FOUNTAIN

● Size 310 x 264 x 135mm ● Stainless Steel
Wall mounted S2192518



DRINKING FOUNTAIN

● Size 110 x 100mm ● Chrome Plated
Wall mounted S2186501



DRINKING FOUNTAIN

● Size 312 x 258 x 839mm ● Chrome Plated
Wall & floor mounted S2192432



DRINKING FOUNTAIN

● Size 310 x 260 x 200mm ● Chrome Plated
Wall mounted S2192433



DRINKING FOUNTAIN

● Size 300 x 258 x 200mm ● Chrome Plated
Wall mounted with bottle filler S2192434



NOVUS

● Size 406 x 165mm ● White
Drinking fountain S2186710



COMBINATION UNIT

● Size 1148 x 413 x 173mm ● Stainless Steel
● Paper towel ● Soap dispenser ● Waste bin
Wall mounted S2192436
Recessed S2192437



SOAP DISPENSER

● Stainless Steel
Wall mounted 321 x 116 x 143mm S2192402
Recessed 463 x 154 x 143mm S2192435



PAPER TOWEL DISPENSER

● Size ● Stainless Steel
Wall mounted 355 x 275 x 112mm S2192404
Recessed 513 x 324 x 112mm S2192438

hotels

leisure

commercial

healthcare

education

Misc

Culture, custom, habit and convenience all dictate a society's notion of what defines a 'toilet'. Since each country has a different concept of hygiene, access to disposable paper and water availability, our body's most natural functions have been dealt with in a variety of ways





BELFAST SINK

● Size 760 x 455 x 255mm ● White
Sink with overflow OL70 S7004050
PCI legs 635mm & bearer 405mm S2204501



BELFAST SINK

● Size 610 x 455 x 255mm ● White
Sink with overflow OL71 S7004051
PCI legs 635mm & bearer 405mm S2204501



BELFAST SINK

● Size 455 x 380 x 205mm ● White
Sink with overflow OL72 S7004052
PCI legs 635mm & bearer 355mm S2204511



CLEANERS SINK

● Size 510 x 380 x 230mm ● White
High back sink OL73 S7004053
PCI legs 305mm & bearer 355mm S2205001



WUDUMATE

● Size 630 x 1034mm ● White
Foot wash pan OL390 S7004123



ENVIRO GLAZE

● Size 355 x 585mm ● White - Stainless steel
Back to wall pan OL391 S7004122



ASIATIC SQUATTING PAN

● Size 455 x 565mm ● White
Back outlet OL47 S7004047



P Trap OL48



S Trap OL49

TRAPS - For Asiatic Squatting Pan

● White
P Trap OL48 S7004048
S Trap OL49 S7004049



HIGH LEVEL CISTERN

● Size 457 x 380mm ● White
Cistern shell OL68A S7004055
Cistern fittings and Lever S7004056
Two piece white flush pipe S2177501

Document M Solutions



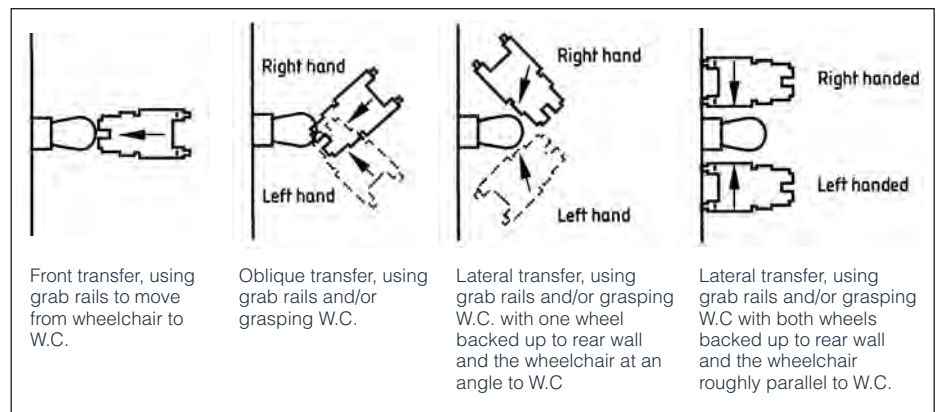


N&C Phlexicare are leading manufacturers and suppliers of independent living solutions, offering innovative products and solutions that assist with accessibility issues in both commercial and domestic environments such as washrooms, showers and general accessibility.

N&C Phlexicare have the means to assist in providing products that encourage independence allowing greater, more dignified tasks to be carried out whilst being less of an obstacle. Our N&C Phlexicare range demonstrate new approaches and fresh solutions to old problems.

Wheelchair users should be able to approach, transfer to, and use the sanitary facilities provided within a building. This requires the provision of a wheelchair-accessible unisex toilet and should be compliant with the British Standard BS 8300 February 2009 + A1: 2010 edition and Part M of Building Regulations.

The space provided for manoeuvring, should enable wheelchair users to adopt various transfer techniques that allow independent or assisted use.



Light reflective values

Ceramic wall and floor tiles with skirting tiles must match the walls in order to meet the recommendations of BS 8300 which states 'Whilst there is considerable confidence in recommending a difference in LRV (light reflective value) of 30 points or more (the good zone) there is also some evidence to suggest that a difference of around 20 points might still be acceptable, provided the illuminance on the surfaces is 200 lux or more.

To avoid giving the wrong impression about the size of a room, skirtings should have the same LRV as the wall so that the junction between the skirting and the floor marks the extent of the room'.

A test method for measuring the LRV of flat surfaces with opaque materials, including those coated with non-opaque coatings, or coverings and multi-coloured surfaces, is described in BS 8493.

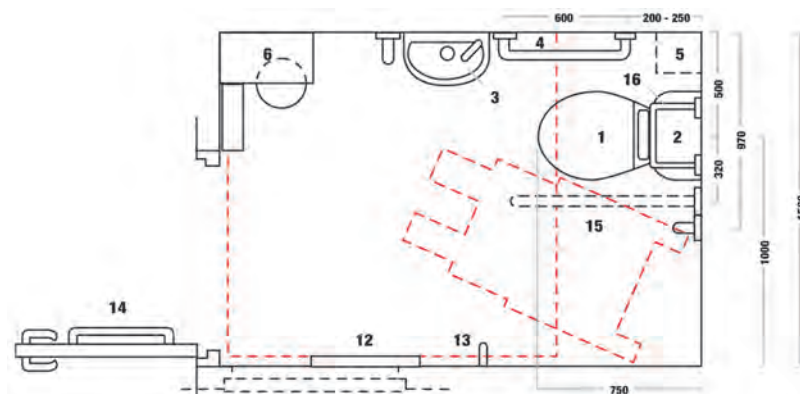
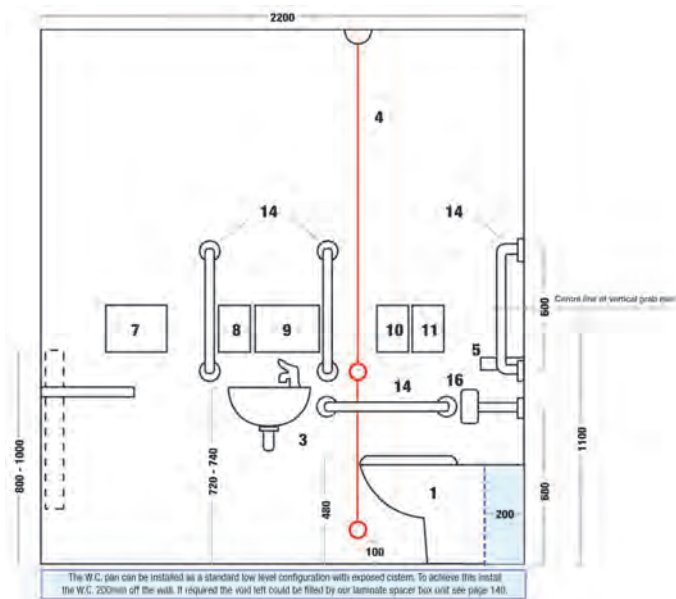


Features

- Ultimate MPack
- Fully BS800 compliant (updated February 2009)
- Highest quality materials used throughout
- Complete co-ordination between accessories
- Handed basin
- Elegant raised height pan
- Luxury padded backrest
- Ergonomic designed toilet seat
- Easy operation dual flush lever 6/4ltr
- Screw down lid on cistern
- Delivered in one box
- Fully compliant audio/visual alarm(Feb 2009)
- TMV3 thermostatic basin mixer incorporating environmental water saving spray action
- ABS grab rails ensures no rotting, rust or corrosion

CLASSIC BLUE LOW LEVEL PACK

This Classic Blue Low Level Package offers colour contrast and the widest range of transfer possibilities, whilst including every requirement without compromise, to ensure full compliance with both The Building Regulations Approved Document M 2004 Edition and BS 8300 2009 +A1 :2010.



Classic Blue Low Level P6830056 - Pack Contents			
1	Pentland Low Level Raised Height Pan	4	Phlexical Audio Visual Alarm, 2 Pull Cords
1	Blue Seat only (Advanced)	5	White Plastic Colostomy Bag Shelf, Small
2	Pentland Reversible Cistern with Screw Down Lid	6	White Plastic Colostomy Bag Shelf, Large
2	6 litre Cistern Fitting Pack Dual Flush	7	Automatic Hand Dryer
2	Chrome Plated Spatulate Flush Lever	8	Soap Dispenser
2	White 760 x 305mm Flush Bend	9	Paper Towel Dispenser
3	Pentland Hand Basin 395 x 340mm	10	Toilet Tissue Dispenser
3	White Plastic Taphole Stopper	11	Alarm Reset Button
3	Concealed Basin Hanger Brackets-Pair	12	Stainless Steel Mirror 1000 x 400mm
3	Waste Support Bracket	13	Blue Clothes Hooks x 2
3	Chrome Thermostatic Mono Basin Mixer - Lever Operation	14	Blue Fluted 600 x 35mm Grab Rails x 5
3	Chrome 32mm Grated Waste	15	Blue Folding Rail 850mm
3	Chrome 32mm Plastic Bottle Trap	16	Blue Backrest Padded 400 x 250mm



Features

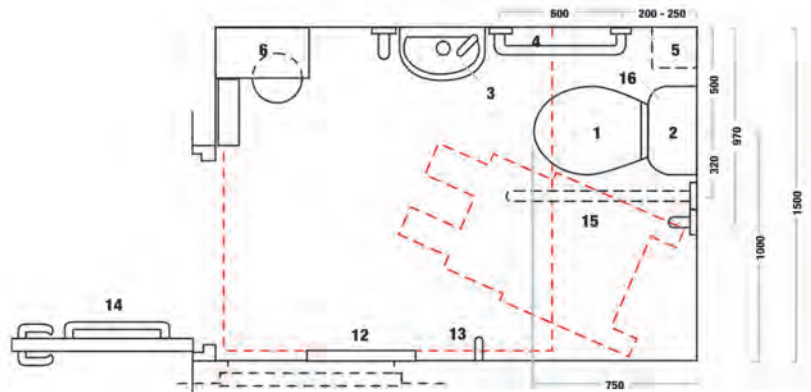
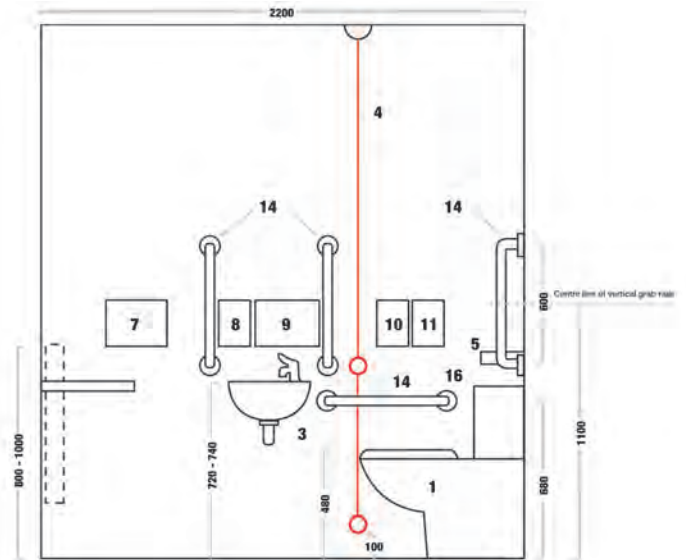
- Ultimate MPack
- Fully BS8300 compliant (updated February 2009)
- Highest quality materials used throughout
- Complete co-ordination between accessories
- Handed wash basin
- Attractive close coupled design
- Elegant raised height pan
- Ergonomic designed toilet seat
- Easy operation dual flush lever 6/4ltr
- Screw down lid on cistern
- Delivered in one box
- Fully compliant audio/visual alarm (Feb 2009)
- TMV3 thermostatic basin mixer incorporating environmental water saving spray action
- ABS grab rails ensures no rotting, rust or corrosion

CLASSIC BLUE CLOSE COUPLED PACK

In devising this close coupled colour contrasting package we have combined form with function.

The recommendations of BS8300 have been observed, in producing this more aesthetically pleasing package.

We use a screw down lid for added support on our close coupled cistern. Our standard package comes complete with a colour contrasting heavy duty ring seat and cover.



Classic Blue Close Coupled P6830057 - Pack Contents

1	Pentland Close Coupled Raised Height Pan	5	White Plastic Colostomy Bag Shelf, Small
1	Blue Seat only (Advanced)	6	White Plastic Colostomy Bag Shelf, Large
2	Pentland Reversible Cistern with Screw Down Lid	7	Automatic Hand Dryer
2	6 litre Fitting Pack with Spatulate Lever - Dual Flush	8	Soap Dispenser
3	Pentland Hand Basin 395 x 340mm	9	Paper Towel Dispenser
3	White plastic tap hole stopper	10	Toilet Tissue Dispenser
3	Concealed Basin Hanger Brackets-Pair	11	Alarm Reset Button
3	Waste Support Bracket	12	Stainless Steel Mirror 1000 x 400mm
3	Chrome Thermostatic Mono Basin Mixer - Lever Operation	13	Blue Clothes Hooks x 2
3	Chrome 32mm Grated Waste	14	Blue Fluted 600 x 35mm Grab Rails x 5
3	Chrome Plastic Bottle Trap	15	Blue Folding Rail 850mm
4	Phlexicall Audio Visual Alarm, 2 Pull Cords		

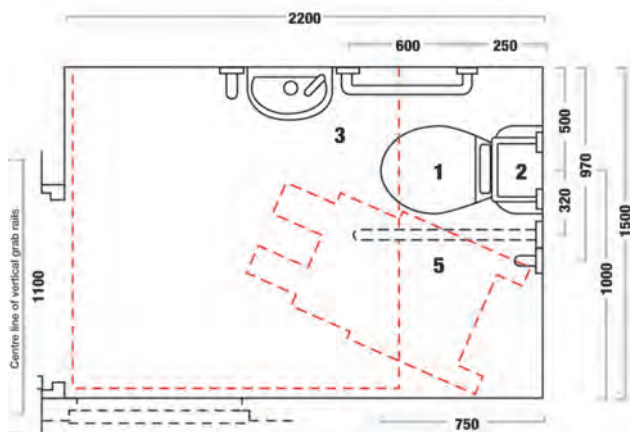
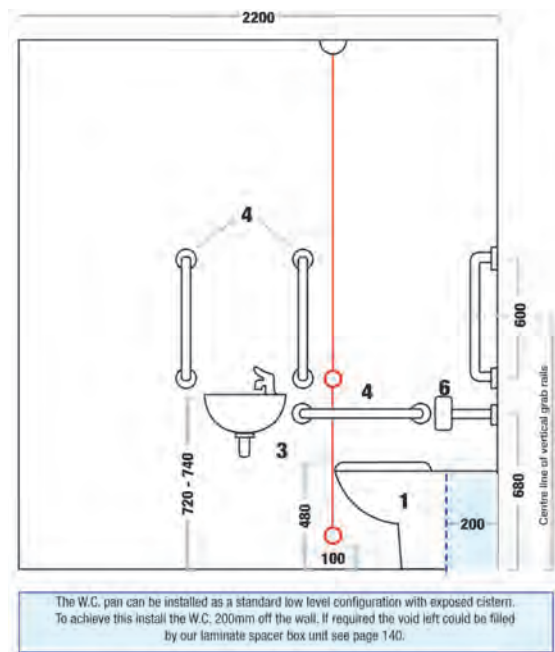


Features

- Fully BS8300 compliant (updated February 2009)
- Highest quality materials used throughout
- Complete co-ordination between accessories
- Handed wash basin
- Elegant raised height pan
- Luxury padded backrest
- Ergonomic designed toilet seat
- Easy operation dual flush lever 6/4ltr
- Screw down lid on cistern
- TMV3 thermostatic basin mixer incorporating environmental water saving spray action
- ABS grab rails ensures no rotting, rust or corrosion

BLUE PLUS LOW LEVEL PACK

Our Blue Plus Low Level Pack includes our TMV3 approved thermostatic mixer and extra strong W.C. seat including anti-bacterial protection. This pack is supplied without accessories making it ideal for those occasions where the ancillary items are to be supplied by a third party or leasing company.



Blue Low Level P6830052 - Pack Contents			
1	Pentland Low Level Raised Height Pan	3	Chrome Spray Mixer Tap - Lever Operation
1	Blue Seat only (Advanced)	3	Thermostatic Mixing Valve 15mm
2	Pentland Reversible Cistern with Screw Down Lid	3	Chrome 32mm Grated Waste
2	6 litre Cistern Fitting Pack Dual Flush	3	Chrome 32mm Plastic Bottle Trap
2	Chrome Plated Spatulate Flush Lever	4	Blue Fluted 600 x 35mm Grab Rails x 5
2	White Flushbend 760 x 305mm	5	Blue Folding Rail 850mm
3	Pentland Hand Basin 395 x 340mm	6	Blue Backrest Padded 400 x 250mm
3	White Plastic Taphole Stopper		
3	Concealed Basin Hanger Brackets-Pair		
3	Waste Support Bracket		

Available with white rails and seat P6830047

hotels

leisure

commercial

healthcare

education

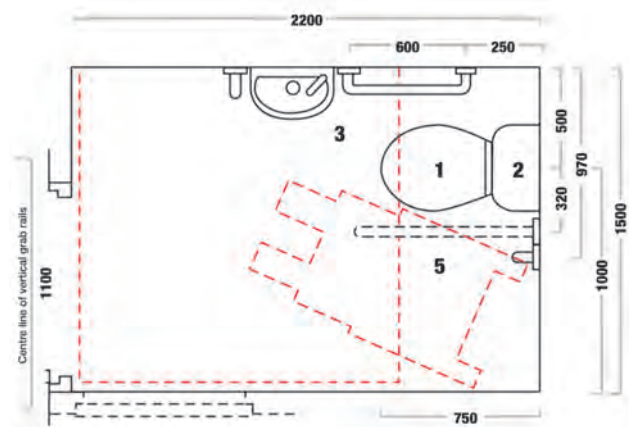
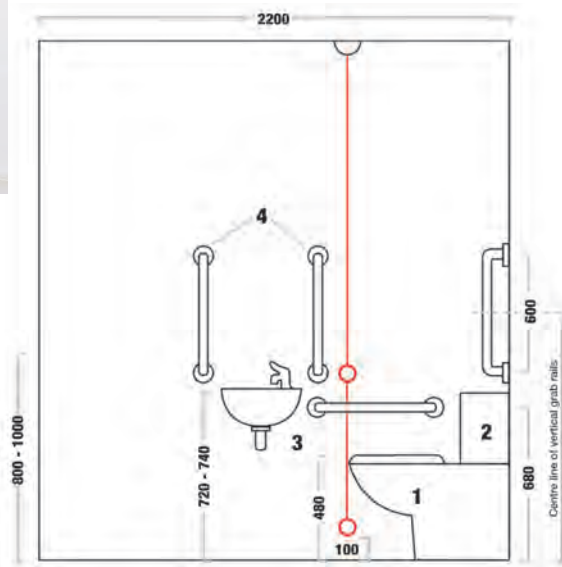


Features

- Fully BS8300 compliant (updated February 2009)
- Highest quality materials used throughout
- Complete co-ordination between accessories
- Handed wash basin
- Attractive close coupled design
- Elegant raised height pan
- Ergonomic designed toilet seat
- Easy operation dual flush lever 6/4ltr
- Screw down lid on cistern
- Delivered in one box
- TMV3 thermostatic basin mixer incorporating environmental water saving spray action
- ABS grab rails ensures no rotting, rust or corrosion

BLUE PLUS CLOSE COUPLED PACK

Our close coupled pack includes our TMV3 approved thermostatic mixer and extra strong W.C. seat which includes anti-bacterial protection. Also comprising a close coupled W.C. with the required screw down cistern cover. This pack is supplied without accessories making it ideal for those occasions where the ancillary items are to be supplied by a third party or leasing company.



Blue Close Coupled P6830051 - Pack Contents

1	Pentland Close Coupled Raised Height Pan	3	Chrome Spray Mixer Tap - Lever Operation
1	Blue Seat and Cover (Advanced)	3	Thermostatic Mixing Valve 15mm
2	Pentland Reversible Cistern with Screw Down Lid	3	Chrome 32mm Grated Waste
2	6 litre Fitting Pack with Spatulate Lever	3	Chrome 32mm Plastic Bottle Trap
3	Pentland Hand Basin 395 x 340mm	4	Blue Fluted 600 x 35mm Grab Rails x 5
3	White plastic tap hole stopper	5	Blue Folding Rail 850mm
3	Concealed Basin Hanger Brackets-Pair		
3	Waste Support Bracket		

Available with white rails and seat P6830053

hotels

leisure

commercial

healthcare

education

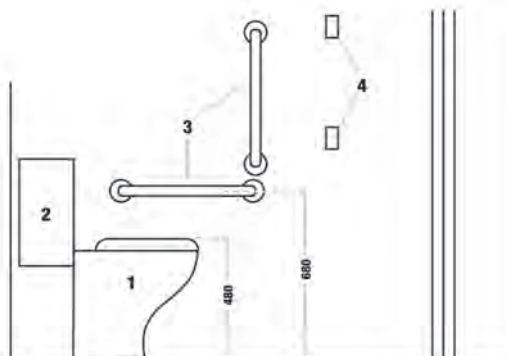


Features

- Fully BS8300 compliant (updated February 2009)
- Attractive close coupled design
- Elegant raised height pan
- Ergonomic designed toilet seat
- Easy operation dual flush lever 6/4ltr
- Screw down lid on cistern
- Delivered in one box

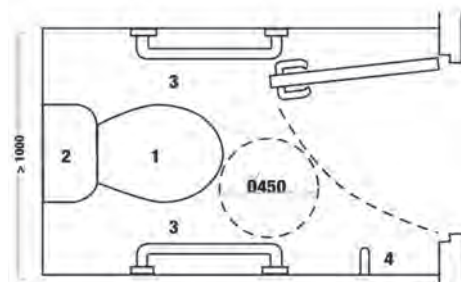
AMBULANT BLUE CLOSE COUPLED PACK

Ambulant disabled people should have the opportunity to use a W.C. cubicle within any separate sex toilet washrooms. The cubicle should be fitted with support rails and include a minimum activity space to accommodate people who use crutches or otherwise have impaired leg movement.



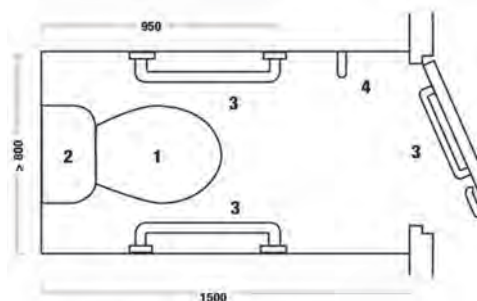
A) Elevation

The minimum clear overall dimensions of a W.C. cubicle accessible by ambulant disabled people, as well as the location of sanitary and other fittings, should be as shown in this set of drawings.



C) Plan (Existing Building)

Inward opening door with effective clear width of at least 800mm. Door swing clear of 450mm diameter space on plan between fittings.



B) Plan (New Building)

Outward opening door with horizontal pull rail.

Ambulant Close Coupled Pack P6830058 - Pack Contents

1	Pentland Low Level Raised Height Pan
1	Pentland Reversible Cistern with Screw Down Lid
1	6 litre Fitting Pack with Spatulate Lever - Dual Flush
2	Blue Seat and Cover (Advanced)
3	Blue Fluted 60 x 35mm Grab Rails x 4
4	Blue Clothes Hook

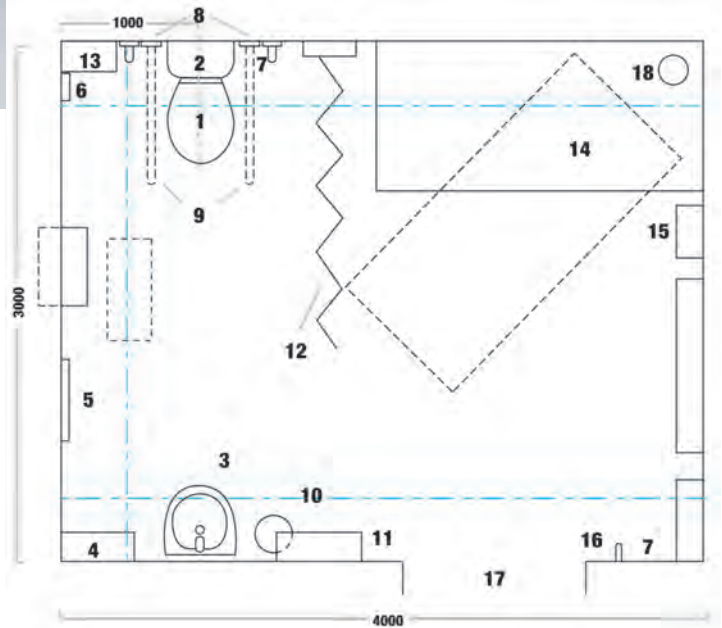


Features

- Fully BS8300 compliant (updated February 2009)
- Highest quality materials used throughout
- Complete co-ordination between accessories
- Large power assisted wash hand basin
- Retractable privacy curtain
- Height adjustable shower/changing bench
- Elegant raised height pan
- Ergonomic designed toilet seat
- Easy operation dual flush lever 6/4ltr
- Screw down lid on cistern
- Fully compliant audio/visual alarm (Feb 2009)
- TMV3 thermostatic basin mixer incorporating environmental water saving spray action
- Drop down rails with one sprung toilet roll holder
- Signage and floor gulley included

CHANGING PLACES PACK

A changing places (CP) facility is a combined toilet, shower and changing room for use by people with complex and multiple disabilities who require the help of two assistants. Includes the provision of a height adjustable changing bench and wash basin required for changing places specification. The space needs to be fitted with a fixed track hoist system. The CP facility should be in addition to, not instead of, the provision of unisex accessible W.C.'s.



See our Peninsular MPack, page 214 - 215, for layout dimensions of W.C. suite and grab rails within this Changing Places accessible toilet facility.

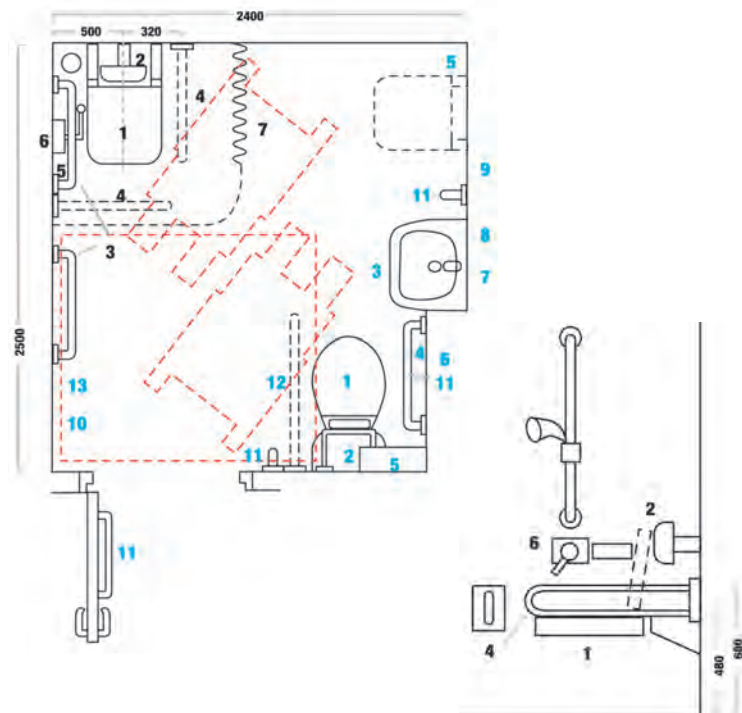
Changing Places P6830068 - Pack Contents

1	Pentland Close Coupled Raised Height Pan	9	Blue Rehab 850mm Folding Rail x 2
1	Blue Seat (Advanced) no Cover	9	Toilet Roll Holder with Spring x 1
2	Pentland Reversible Cistern with Screw Down Lid	10	Waste Care Bin
2	6 litre Cistern Fitting Pack, Spatulate lever - Dual Flush	11	Hand Dryer
3	Electrically operated Basin assembly	12	White Curtain Rail 1200 x 1200mm
3	Pentland wash Hand Basin 600 x 450mm	12	White Curtains 1500 x 1200mm x 2
3	Fixing Bolts for Basin	12	White Curtain Rings x 20
3	Flexible Feed and Waste Kit 700mm	13	White Colostomy Bag Shelf
3	Presflow Basin Waste	14	Height Adjustable Shower/Changing Bench 1800
3	Chrome Plated bottle Trap	14	Guard Rail for 1800 Bench
3	Sequential Thermostatic Mixer Tap	14	Splash Curtain for Shower Bench
4	Paper Towel Dispenser	15	Lever Action Thermostatic Mixer Shower and Kit
5	Full Length Mirror 1000 X 400mm	16	Two Clothes Hooks (Blue)
6	Alarm with Reset Button and Pull Cord	17	Changing Places W.C. Sign
7	Extra Pull Cord and Ring	18	Phleximax 50 Floor Gulley
8	Blue Vertical Grab Rail ABS x 2		



SHOWER ROOM LOW LEVEL PACK

This MPack provides a compliant colour contrasting W.C. area similar to that of our Classic Low Level suite, with a larger washbasin, whilst incorporating an accessible shower facility with seat, shower and support rails within the same washroom area.



Features

- Fully BS8300 compliant (updated February 2009)
- Highest quality materials used throughout
- Complete co-ordination between accessories
- Large hand wash basin
- Elegant raised height pan
- Luxury padded backrest
- Ergonomic designed toilet seat
- Easy operation dual flush lever 6/4ltr
- Screw down lid on cistern
- Fully compliant audio/visual alarm (Feb 2009)
- TMV3 Thermostatic basin mixer incorporating environmental water saving spray action
- Luxury padded shower seat
- Additional alarm cord with rings
- Concealed or exposed shower valve kit
- TMV3 thermostatic mixer shower
- Tubular chrome shower rail and fixings

Blue Shower Room P6830065 - Pack Contents

1	Grey Folding Shower Seat
2	Grey Backrest for Shower Seat
3	Blue Fluted 600 x 35mm Grab Rails x 3
4	Blue Rehab 850mm Folding Rails x 2
5	Additional Phlexicall Alarm Pull Cord
6	Chrome Thermostatic Shower Valve TMV3
6	Chrome Shower Head and Kit
7	Chrome Curtain Rail 1170mm x 2
7	Chrome Wall Flanges - Pair
7	Chrome Angle Bend
7	Ceiling Support Stay 455mm
7	Weighted Shower Curtains 2135 x 2135mm x 2
7	Shower Curtain Hooks x 3

Blue WC/Shower Room P6830070 - Pack Contents

1	Pentland Back to Wall Low Level Raised Height Pan	5	White Plastic Colostomy Bag Shelf, Small
1	Blue Seat (Advanced) no cover	5	White Plastic Colostomy Bag Shelf, Large
2	Pentland Reversible Cistern with Screw Down Lid	6	Toilet Tissue Dispenser
2	6 litre Cistern Fitting Pack	7	Paper Towel Dispenser
2	Chrome Plated Spatulate Flush Lever	8	Soap Dispenser
2	White 760 x 305mm Flushbend	9	Automatic Hand Dryer
2	Blue back rest support rail with padded cushion	10	Stainless Steel Mirror 1000 x 400mm
3	Pentland Wash Hand Basin 550 x 450mm	11	Blue Fluted 600 x 35mm Grab Rails x 5
3	Hanger and Waste Bracket	12	Blue Rehab 850mm Folding Rail
3	Chrome Thermostatic Mono Basin Mixer - Lever Operation	13	Blue Clothes Hooks x 2
3	Chrome Presflo Waste		
3	Chrome 32mm Plastic Bottle Trap		
4	Phlexicall Audio Visual Alarm with Reset		

hotels

leisure

commercial

healthcare

education



N&C PHLEXICARE RADAR KEY SCHEME

Disability Rights UK (formerly RADAR) promotes a U.K national scheme, whereby locks specially manufactured are fitted to toilets and can only be operated using a RADAR key. These keys are available to disabled or registered blind people to enable them to access the facilities. This aims to give protection against vandalism or misuse, so that a clean functional toilet is available.

RADAR Lockset

A complete lockset comprising a Mortice lock and engraved furniture which can be supplied polished aluminium (P.A.A.) and polished gold aluminium (P.G.), incorporating an external indicator and emergency coin release. All locksets are supplied with one bow shaped handle key and fixings.

Operation

The door is opened from the outside, by use of the RADAR key, when the external indicator is white. Once inside, the door is locked by lifting the lever upwards, which changes the external indicator to red. (N.B. keys will not unlock door when the indicator shows red) On exiting, the door is opened by pushing the lever down, which also returns the external indicator to white.

Automatic door option available.



RADAR LOCK

Polished aluminium right hand	H0148502
Polished aluminium left hand	H0148503
Gold anodised right hand	H0148505
Gold anodised left hand	H0148506



RADAR KEY

Key Standard Pattern	H0149001
Key Bow Handle Pattern	H0149002



To assist those with visual impairment to recognise the RADAR Lock.

RADAR COVER PLATE

Yellow Cover Plate	H0149011
Green Cover Plate	H0149012
Red Cover Plate	H0149013
Black Cover Plate	H0149014
Grey Cover Plate	H0149015
White Cover Plate	H0149016
Blue Cover Plate	H0149017

hotels

leisure

commercial

healthcare

education

Grab Rails

Safety and security are very important in enabling anyone to feel confidently independent in and around the bathroom.

There are times when each of us could benefit from a little extra support. The N&C Phlexicare range of grab rails can significantly make life easier for many people.





SPECTRUM

● PVC ● 35mm dia

300mm	P686100*
400mm	P686110*
500mm	P686120*
600mm	P686130*
700mm	P686140*
800mm	P686150*
900mm	P686160*

Coding System

When ordering your Spectrum Grab Rails we have adopted a coding system to allow easy specification of your colour choice.



Yellow	*****1
Green	*****2
Red	*****3
Black	*****4
Grey	*****5
White	*****6
Blue	*****7



FLUTED

● PVC ● 35mm dia

White 300mm	P6828772
White 450mm	P6828773
White 600mm	P6828774
Blue 450mm	P6828768
Blue 600mm	P6828769



PHLEXIWAVE - Natural grip

● ABS anti-bacterial ● 35mm dia

White 300mm	P6828765
White 450mm	P6828766
White 600mm	P6828767
Blue 300mm	P6828761
Blue 450mm	P6828762
Blue 600mm	P6828763



ASTRAL

● 35mm dia ● Stainless Steel Coated White

300mm	P6856411
450mm	P6856611
500mm	P6850102
600mm	P6856111
700mm	P6850122
1000mm	P6856071
1400mm	P6856811



VODA

● 35mm dia ● Chrome

450mm straight rail	P6851597
600mm straight rail	P6851596



PROTEUS

● 35mm dia ● Chrome

450mm straight rail	P6851594
600mm straight rail	P6851599



NOVA

● 35mm dia ● Polished Stainless Steel

300mm	P6856401
450mm	P6856601
500mm	P6850101
600mm	P6856101
700mm	P6850121
1000mm	P6856051

hotels

leisure

commercial

healthcare

education

Signs & Wayfinders

Signs and wayfinding are of course an important part of our everyday lives. Signs should be simple, short, and easy to read, with good contrast against their background colour or surroundings. The colour, design and typeface of signs should be consistent throughout the building.





Accessible W.C

- Satin Anodised Aluminium
- Size 150 x 100mm

H6801041



Female W.C

- Satin Anodised Aluminium
- Size 150 x 100mm

H6801031



Male W.C

- Satin Anodised Aluminium
- Size 150 x 100mm

H6801021



Changing Places W.C

- Satin Anodised Aluminium
- Size 150 x 100mm

H6801043



Accessible W.C

- Satin Anodised Aluminium
- Size 75mm Diameter

H6801065



Female W.C

- Satin Anodised Aluminium
- Size 75mm Diameter

H6801061



Male W.C

- Satin Anodised Aluminium
- Size 75mm Diameter

H6801051



Changing Places W.C

- Satin Anodised Aluminium
- Size 75mm Diameter

H6801069



Baby Changing W.C

- Satin Anodised Aluminium
- Size 75mm Diameter

H6801101

hotels

leisure

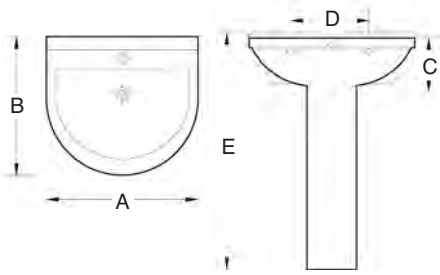
commercial

healthcare

education

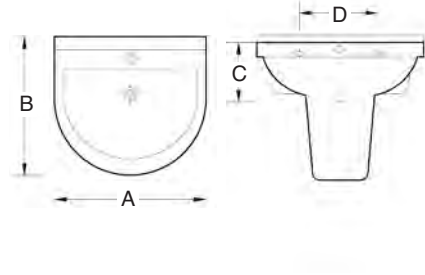
Technical Drawings





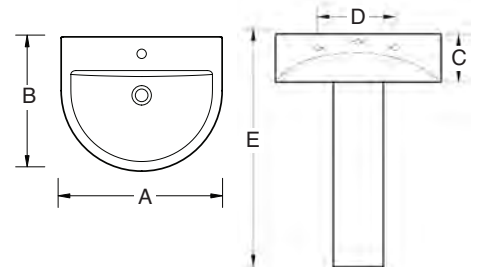
PURE

	A	B	C	D	E
OL217-1TH	610	515	195	220	825



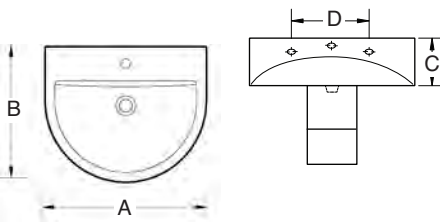
PURE

	A	B	C	D
OL220-1TH	510	455	190	190
OL221-1TH	465	440	195	180



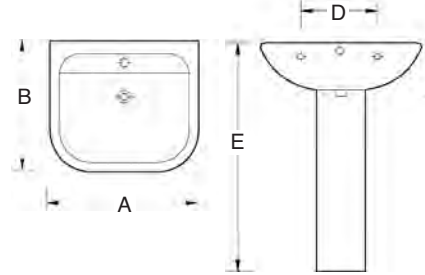
ENTHUSE

	A	B	C	D	E
OL270-1TH	600	500	171	280	835
OL271-1TH	660	490	171	280	835



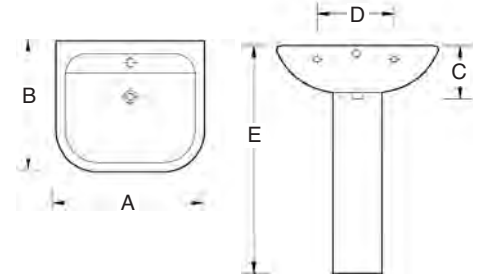
ENTHUSE

	A	B	C	D
OL268-1TH	560	465	165	280
OL269-2TH	560	465	165	280



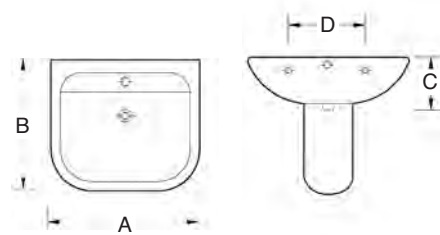
MODERN

	A	B	C	D	E
OL9-1TH	655	495	200	300	835
OL10-2TH	655	495	200	300	835



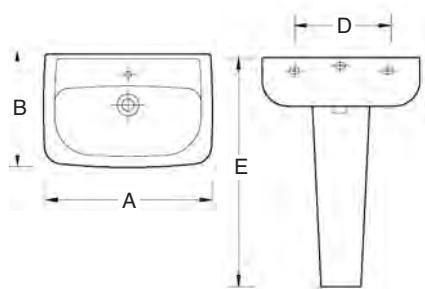
MODERN

	A	B	C	D	E
OL11-1TH	600	480	190	285	820
OL12-2TH	600	480	190	285	820



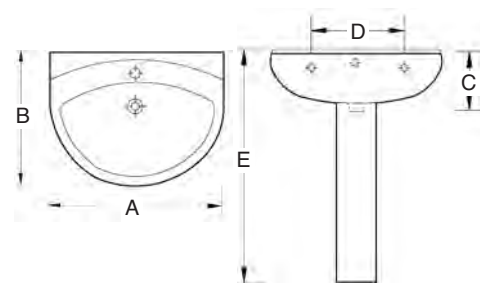
MODERN

	A	B	C	D
OL27-1TH	560	460	190	280
OL33-2TH	560	460	190	280



MODERN

	A	B	C	D	E
OL100-1TH	455	305	175	250	810
OL101-2TH	455	305	175	250	810



AQUASAVE - ECO

	A	B	C	D	E
OL251-1TH	575	435	180	250	805
OL252-2TH	575	435	180	250	805

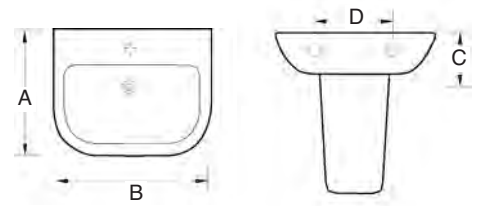
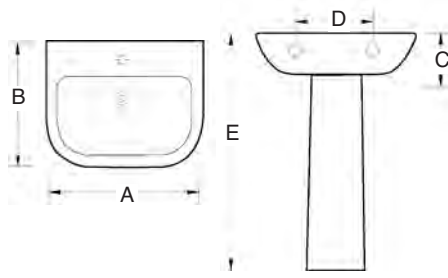
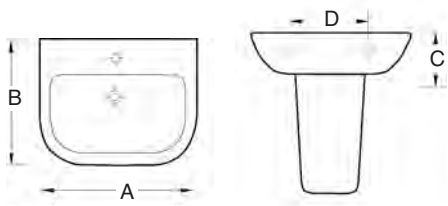
hotels

leisure

commercial

healthcare

education



EMBRACE

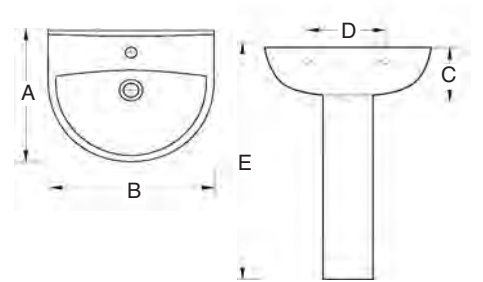
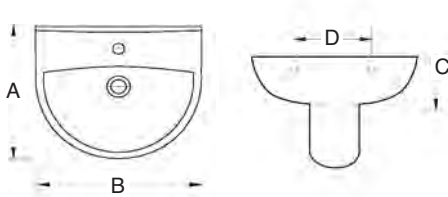
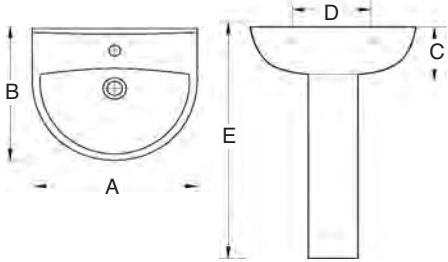
	A	B	C	D
OL344-1TH	550	440	175	280
OL345-2TH	550	440	175	280

EMBRACE

	A	B	C	D	E
OL342-1TH	500	420	160	280	805
OL343-2TH	500	420	160	280	805

EMBRACE

	A	B	C	D
OL340-1TH	450	355	160	180
OL341-2TH	450	355	160	180



BROADGATE PLUS

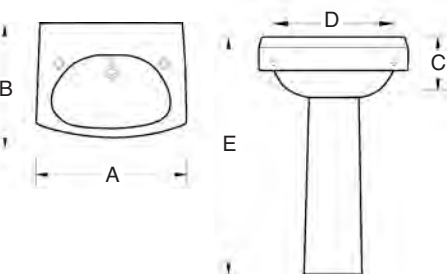
	A	B	C	D	E
OL371-1TH	550	440	190	285	850
OL372-2TH	550	440	190	285	850

BROADGATE PLUS

	A	B	C	D
OL373-1TH	500	420	160	230
OL374-2TH	500	420	160	230

BROADGATE

	A	B	C	D	E
OL294-1TH	450	350	180	160	800
OL93-1TH	450	350	180	160	800



BSS

	A	B	C	D	E
OL60-2TH	550	410	215	445	790

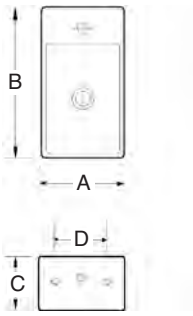
hotels

leisure

commercial

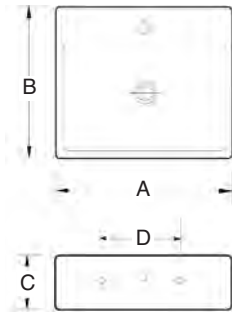
healthcare

education



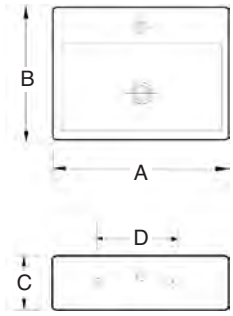
SOLO

	A	B	C	D
OL238-1TH	250	500	130	130



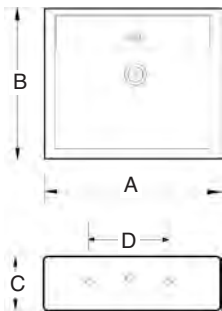
SOLO

	A	B	C	D
OL234-1TH	470	470	120	2800
OL235-1TH	400	400	120	280



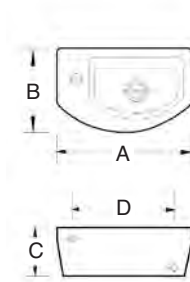
SOLO

	A	B	C	D
OL237-1TH	400	300	135	280



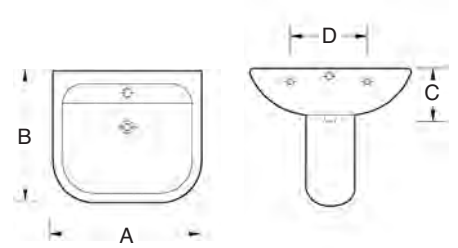
REVEAL

	A	B	C	D
OL326-1TH	525	450	155	170



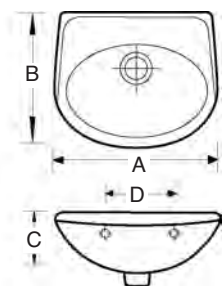
ENTHUSE

	A	B	C	D
OL274-1TH	400	250	150	270



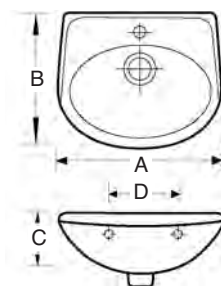
MODERN

	A	B	C	D
OL27-1TH	560	460	190	280
OL33-2TH	560	460	190	280



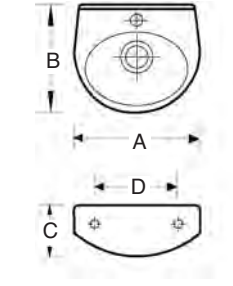
MODERN

	A	B	C	D
OL141-0TH	520	420	200	330



MODERN

	A	B	C	D
OL30A-1TH	515	425	230	165
OL34A-2TH	515	425	230	165



MODERN

	A	B	C	D
OL18-1TH	395	340	290	200
OL40A-2TH	395	340	290	200

hotels

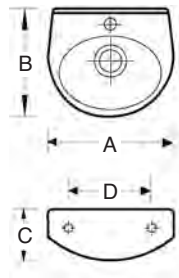
leisure

commercial

healthcare

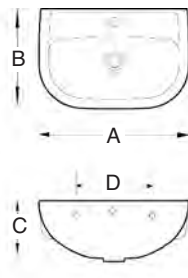
education

Wall hung wash basins



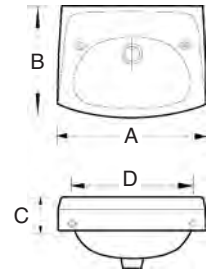
MODERN

	A	B	C	D
OL29-1TH	400	340	200	150
OL19A-2TH	400	340	200	150



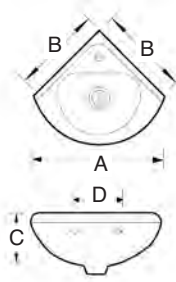
MODERN

	A	B	C	D
OL102-1TH	350	240	150	150
OL103-2TH	350	240	150	150



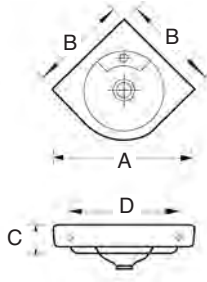
BSS

	A	B	C	D
OL60-2TH	550	410	215	445



MODERN - Corner

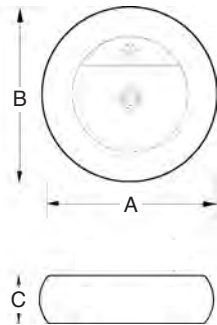
	A	B	C	D
OL26-1TH	460	325	215	110



MODERN - Corner

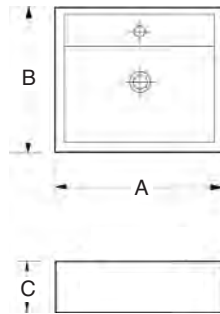
	A	B	C	D
OL15-1TH	645	460	100	225
OL16-2TH	645	460	100	225

Sit-on wash basins



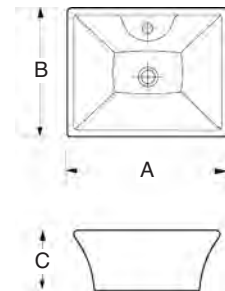
VILLA

	A	B	C
OL333-1TH	485	340	200



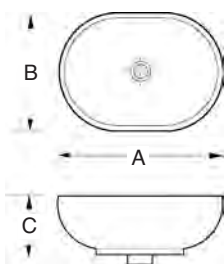
REVEAL

	A	B	C
OL324-1TH	525	450	155



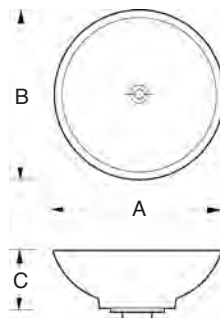
MODERN - Square

	A	B	C
OL112-1TH	480	380	165



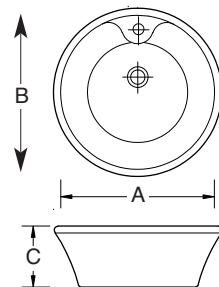
ARC

	A	B	C
OL325-0TH	485	340	200



VOGUE

	A	B	C
OL332-0TH	415	395	165



MODERN - Round

	A	B	C
OL111-1TH	480	480	170

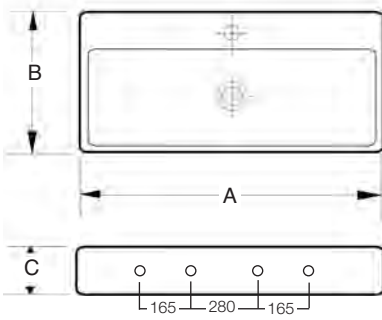
hotels

leisure

commercial

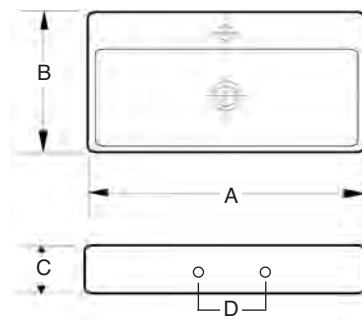
healthcare

education



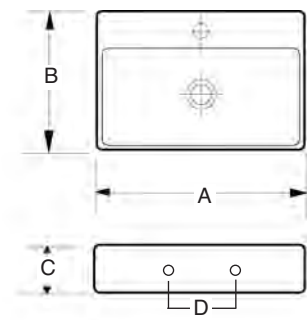
SOLO

	A	B	C
OL263-1TH	1000	450	110



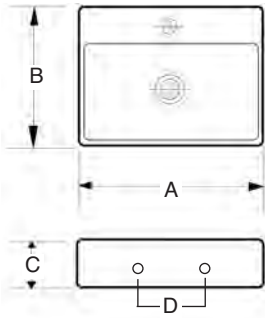
SOLO

	A	B	C	D
OL262-1th	900	450	100	280



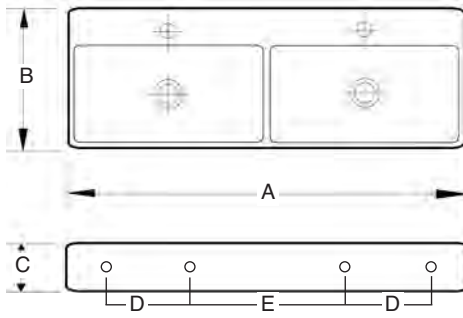
SOLO

	A	B	C	D
OL261-1th	700	450	100	280



SOLO

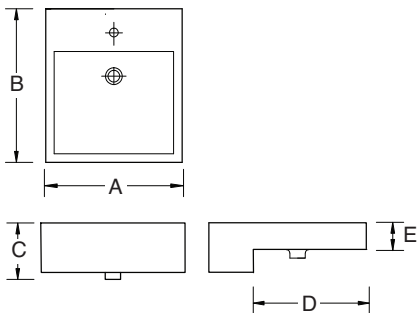
	A	B	C	D
OL260-1TH	600	450	100	280



SOLO - Double Bowl

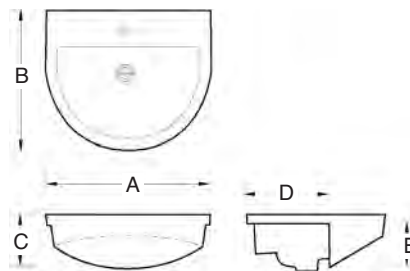
	A	B	C	D	E
OL260-2TH	1210	460	110	200	290

Semi countertop wash basins



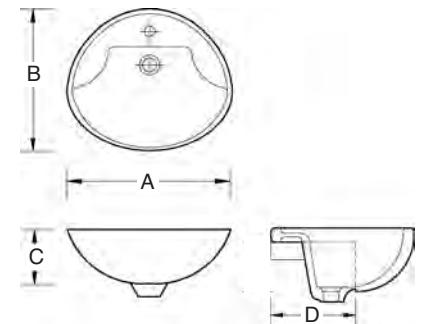
SOLO

	A	B	C	D	E
OL236-1TH	470	470	150	350	120



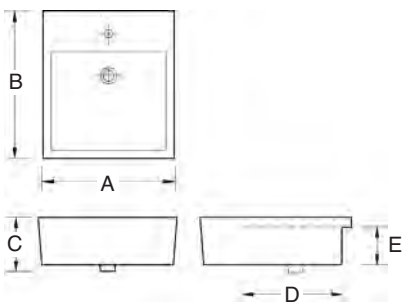
ENTHUSE

	A	B	C	D	E
OL275-1TH	540	455	190	275	140



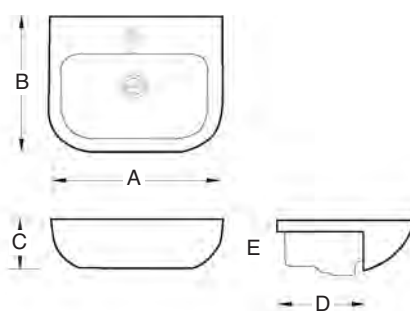
MODERN

	A	B	C	D	E
OL24-1TH	550	450	210	170	140
OL36-2TH	550	450	210	170	140
OL182-1TH	500	405	205	240	125
OL183-2TH	500	405	205	240	125



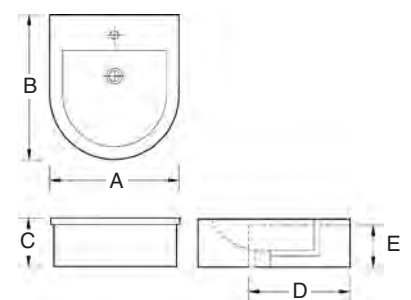
REVEAL

	A	B	C	D	E
OL329-1TH	400	450	180	330	115



EMBRACE

	A	B	C	D
OL346 -1TH	550	440	170	270
OL347 -2TH	550	440	170	270



LURE

	A	B	C	D	E
OL236-1TH	430	500	155	355	105

hotels

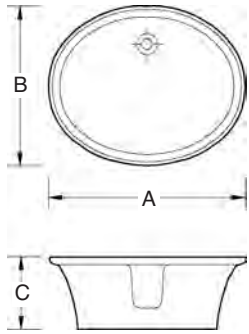
leisure

commercial

healthcare

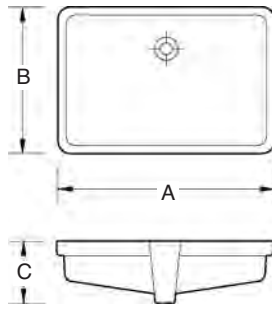
education

Undermount wash basins



MODERN

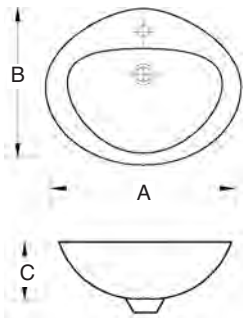
	A	B	C
OL125-0TH	590	455	225



REVEAL

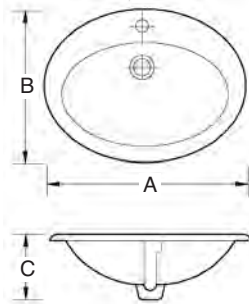
	A	B	C
OL331-0TH	525	355	160

Countertop wash basins



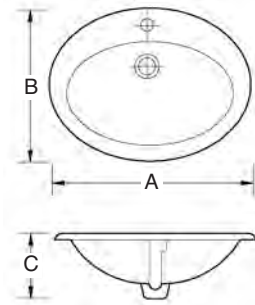
ENTHUSE

	A	B	C
OL1803-1TH	526	420	190



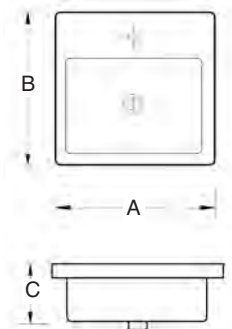
MODERN

	A	B	C
OL21-1TH	560	465	215
OL35-2TH	560	465	215
OL180-1TH	500	430	215
OL181-2TH	500	430	215



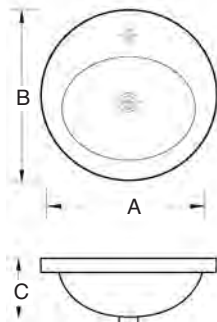
MODERN

	A	B	C
OL180-1TH	500	430	215
OL181-2TH	500	430	215



EMBRACE - RECT

	A	B	C
OL352-1TH	500	450	170



EMBRACE - OVAL

	A	B	C
OL351-1TH	425	425	180

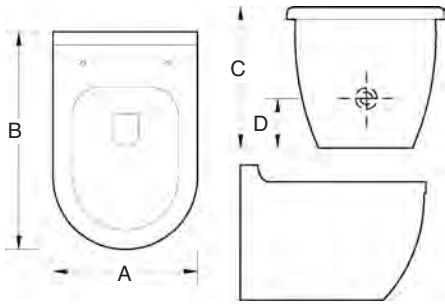
hotels

leisure

commercial

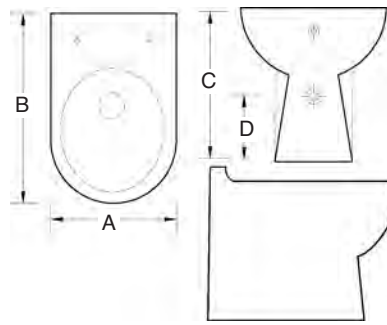
healthcare

education



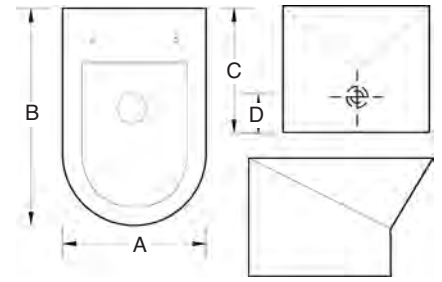
PURE

	A	B	C	D
OL213	370	555	395	190



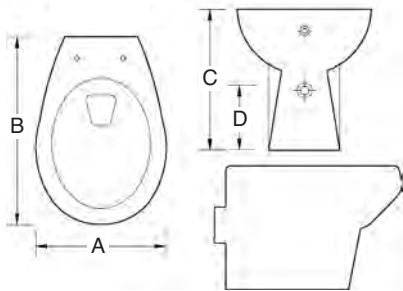
SOLO

	A	B	C	D
OL226	380	505	420	170



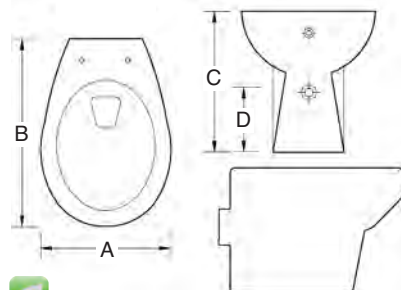
ENTHUSE

	A	B	C	D
OL276	354	547	397	180



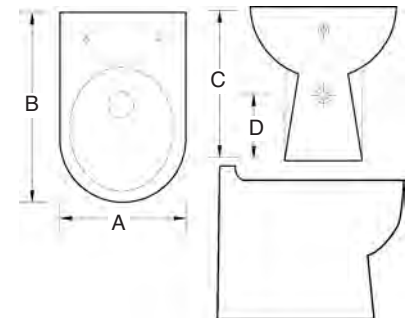
MODERN - Rimless

	A	B	C	D
OL135	345	530	410	190



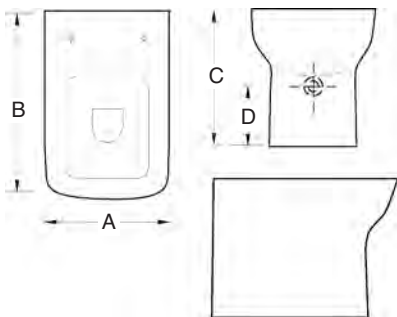
MODERN - Eco

	A	B	C	D
OL370	365	545	410	180



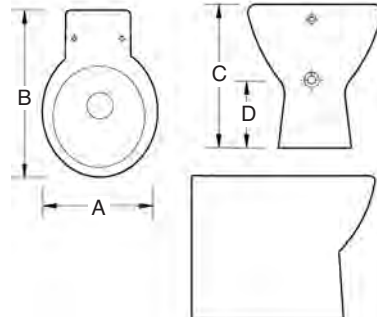
MODERN

	A	B	C	D
OL4B	370	550	410	205



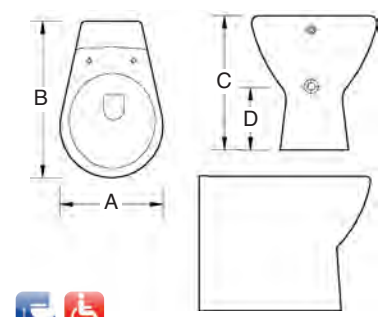
EMBRACE

	A	B	C	D
OL353	360	540	400	180



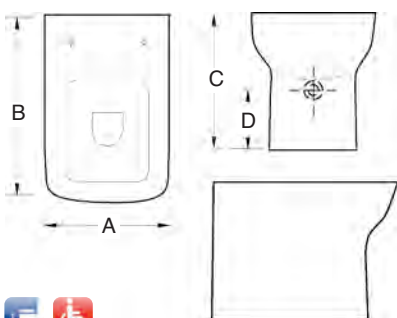
BROADGATE PLUS

	A	B	C	D
OL157A	355	535	400	190



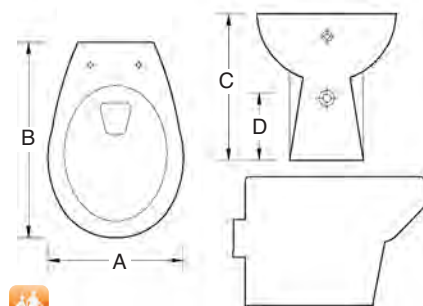
PENTLAND - Raised Height

	A	B	C	D
OL5B	365	555	450	195



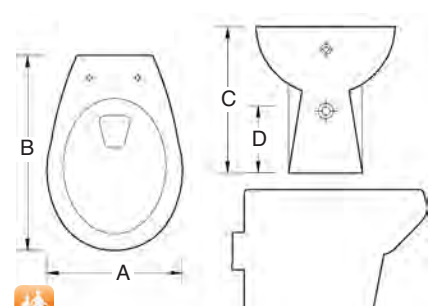
EMBRACE - Raised Height

	A	B	C	D
OL354	360	520	460	180



MODERN - Rimless 355m

	A	B	C	D
OL136	335	490	350	170



MODERN - 355mm

	A	B	C	D
OL75	375	515	365	185

hotels

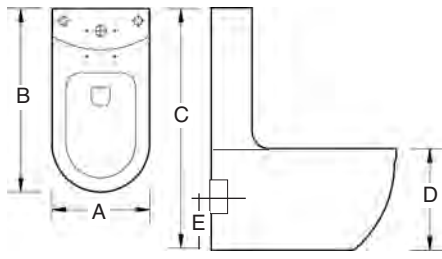
leisure

commercial

healthcare

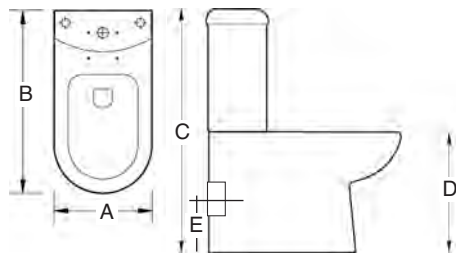
education

Close coupled W.C.'s



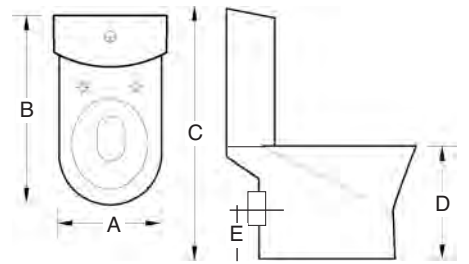
PURE

	A	B	C	D	E
OL215	370	660	830	395	185



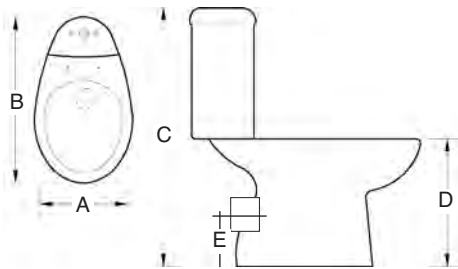
SOLO

	A	B	C	D	E
OL223	380	660	915	420	189



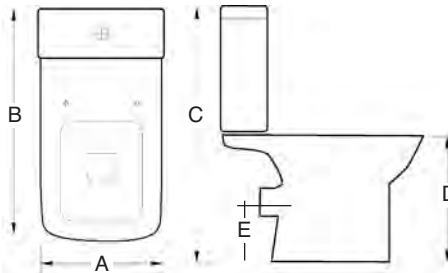
ENTHUSE

	A	B	C	D	E
OL265	377	600	837	400	172



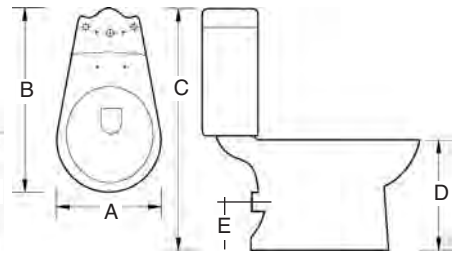
AQUASAVE - ECO

	A	B	C	D	E
OL249	360	625	735	390	190



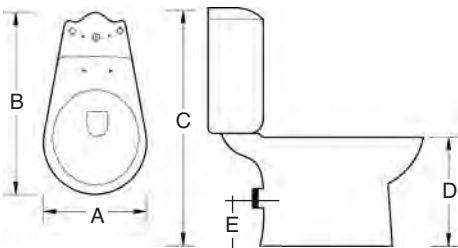
EMBRACE

	A	B	C	D	E
OL355	360	640	810	400	185



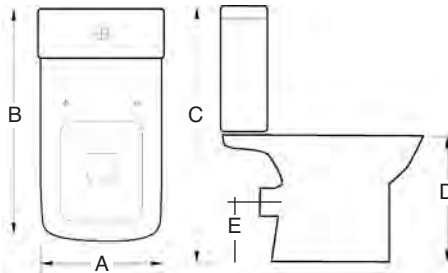
BROADGATE

	A	B	C	D	E
OL53	355	695	790	390	180



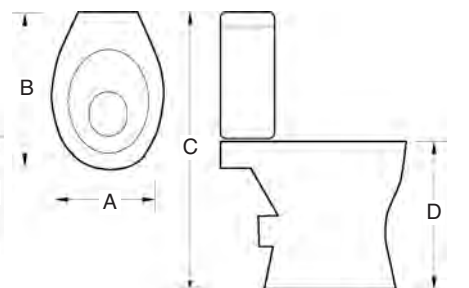
PENTLAND - Raised Height

	A	B	C	D	E
OL2B	370	750	850	450	195



EMBRACE - Raised Height

	A	B	C	D	E
OL357	360	750	870	460	180



ECONOMY - Raised Height

	A	B	C	D
OL358	360	750	870	450

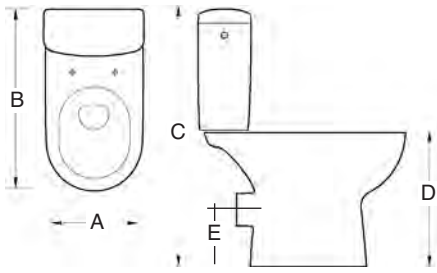
hotels

leisure

commercial

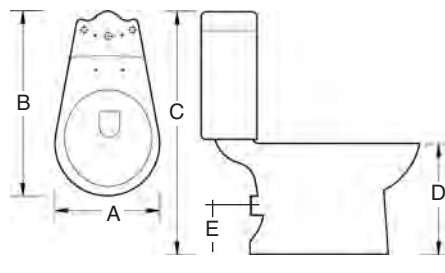
healthcare

education



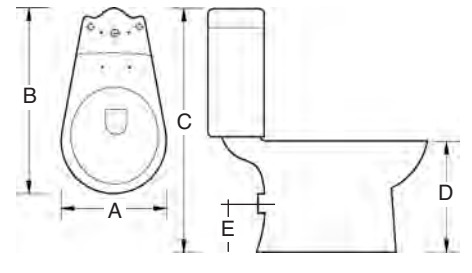
BROADGATE PLUS

	A	B	C	D	E
OL377	355	635	800	415	180



BROADGATE

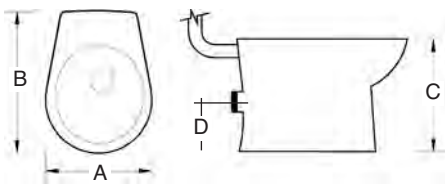
	A	B	C	D	E
OL53	355	695	790	390	180



MODERN

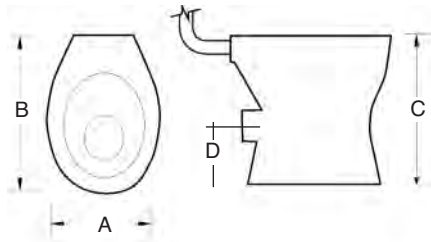
	A	B	C	D	E
OL1B	380	645	795	400	185

Low level W.C's



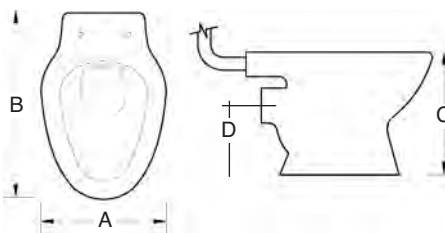
PENTLAND - Raised Height

	A	B	C	D
OL5B	365	555	450	195



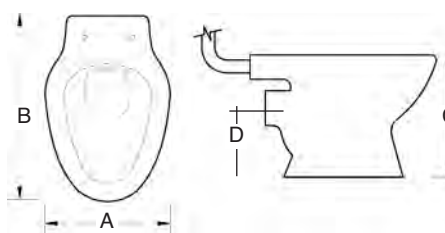
ECONOMY - Raised Height

	A	B	C	D
OL140	364	503	470	182



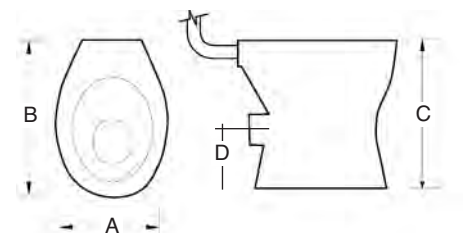
MODERN - 305mm

	A	B	C	D
OL39	300	430	315	156



MODERN 355mm

	A	B	C	D
OL74A	360	485	360	162



BSS

	A	B	C	D
OL56	355	460	390	180

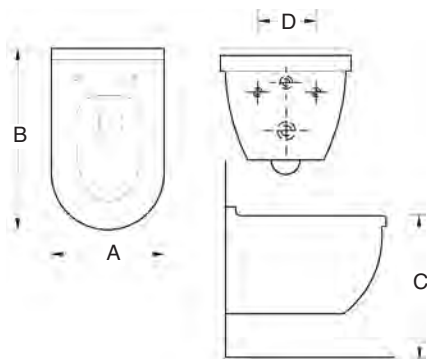
hotels

leisure

commercial

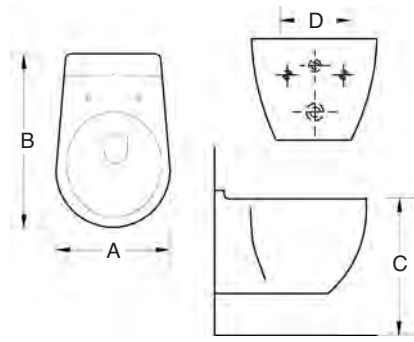
healthcare

education



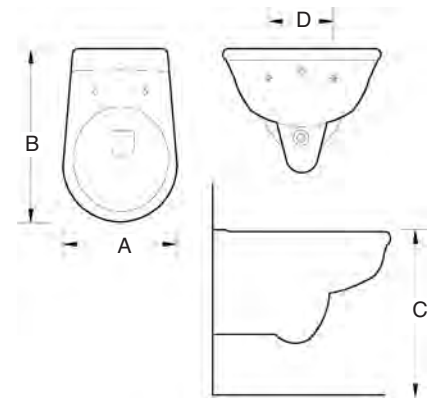
PURE

	A	B	C	D
OL265	370	535	400	180



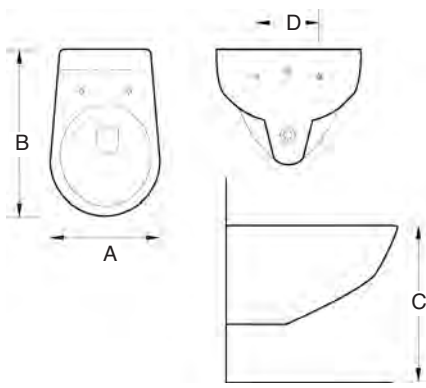
SOLO

	A	B	C	D
OL223	380	500	420	185



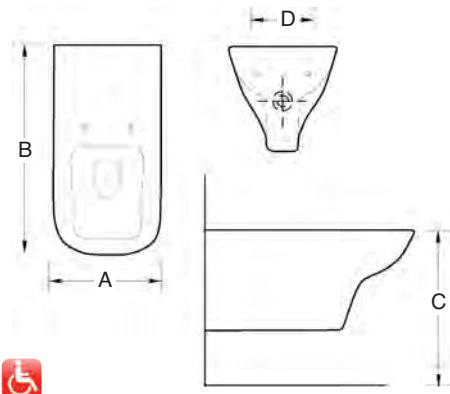
MODERN

	A	B	C	D
OL6A	375	530	400	180



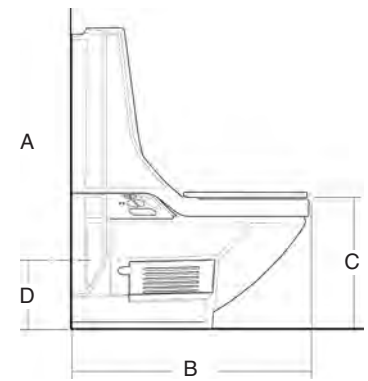
REMA

	A	B	C	D
OL223	370	525	400	180



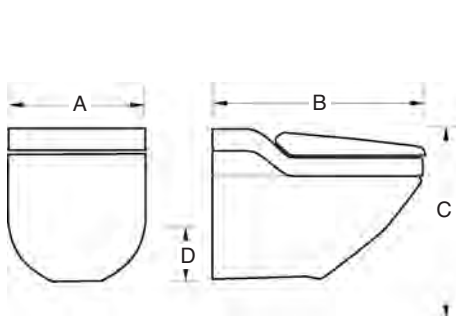
EMBRACE

	A	B	C	D
OL359	360	700	460	180



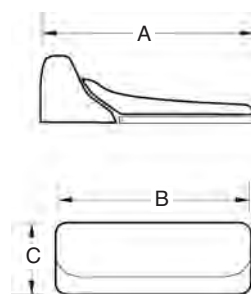
AQUACLEAN 8000 PLUS CARE

	A	B	C	D
OL400	960	735	405-525	250



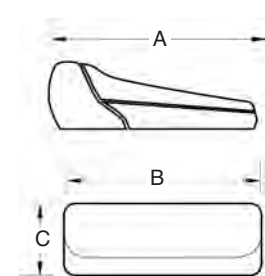
AQUACLEAN 8000 PLUS SEAT

	A	B	C	D
OL401	420	615	415-455	210-250



AQUACLEAN 5000 SEAT

	A	B	C
OL402	507	485	185



AQUACLEAN 4000 SEAT

	A	B	C
OL403	505	400	155

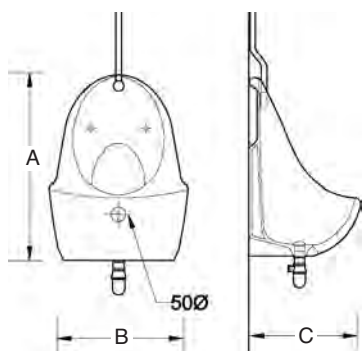
hotels

leisure

commercial

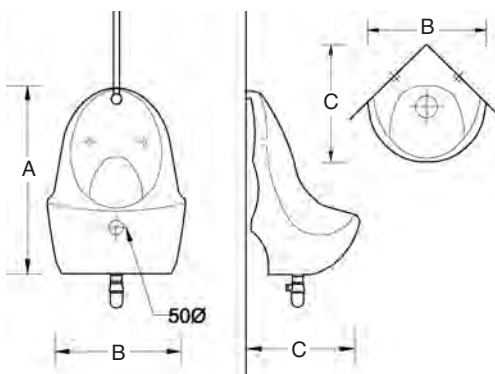
healthcare

education



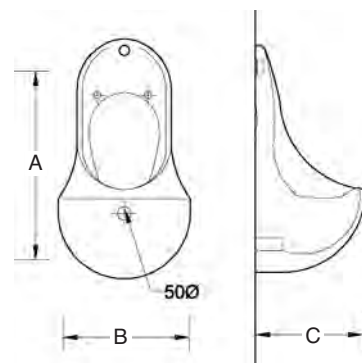
MODERN - Exposed Trap

	A	B	C
OL22B	510	380	330



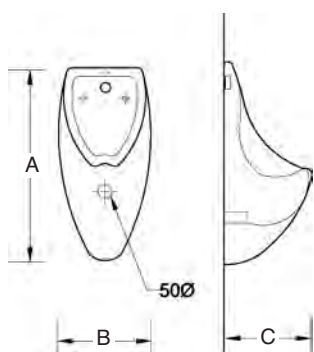
MODERN - Corner

	A	B	C
OL95	510	340	410



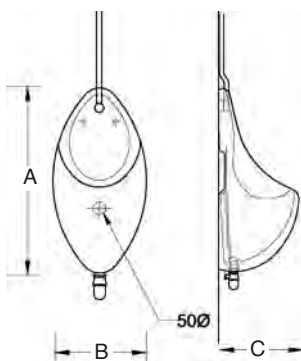
MODERN - Concealed Trap

	A	B	C
OL38	575	380	330



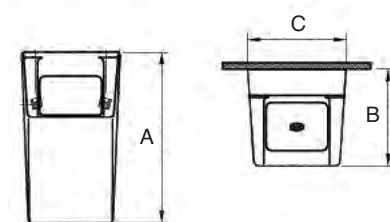
TRIDENT - Concealed Trap

	A	B	C
OL322	690	305	340



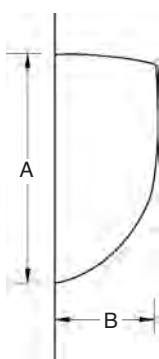
PENDULUM

	A	B	C
OL321 Exp	650	380	300
OL22B Con	380	330	300



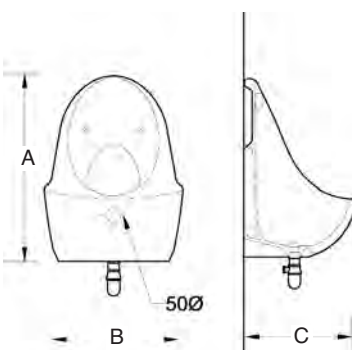
EMBRACE - symphonic

	A	B	C
OL360	590	320	330



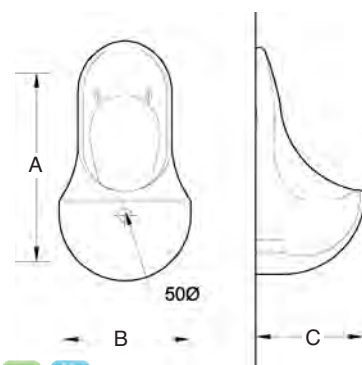
URINAL DIVIDER

	A	B
OL23	630	310



WATERLESS - Exposed Trap

	A	B	C
OL137	510	380	330



WATERLESS - Concealed Trap

	A	B	C
OL138	575	330	380

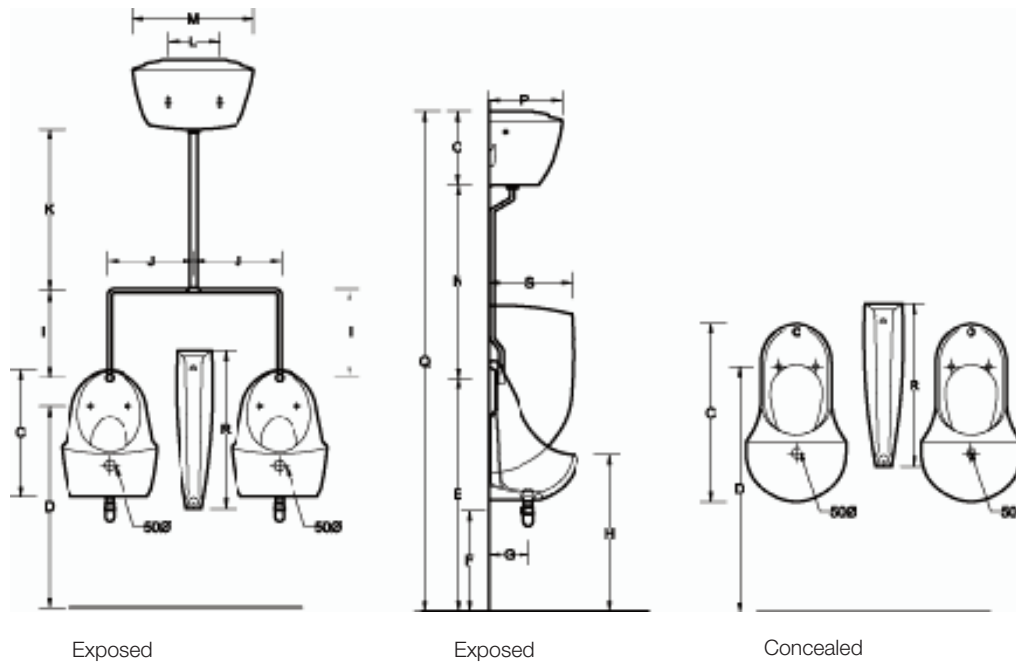
hotels

leisure

commercial

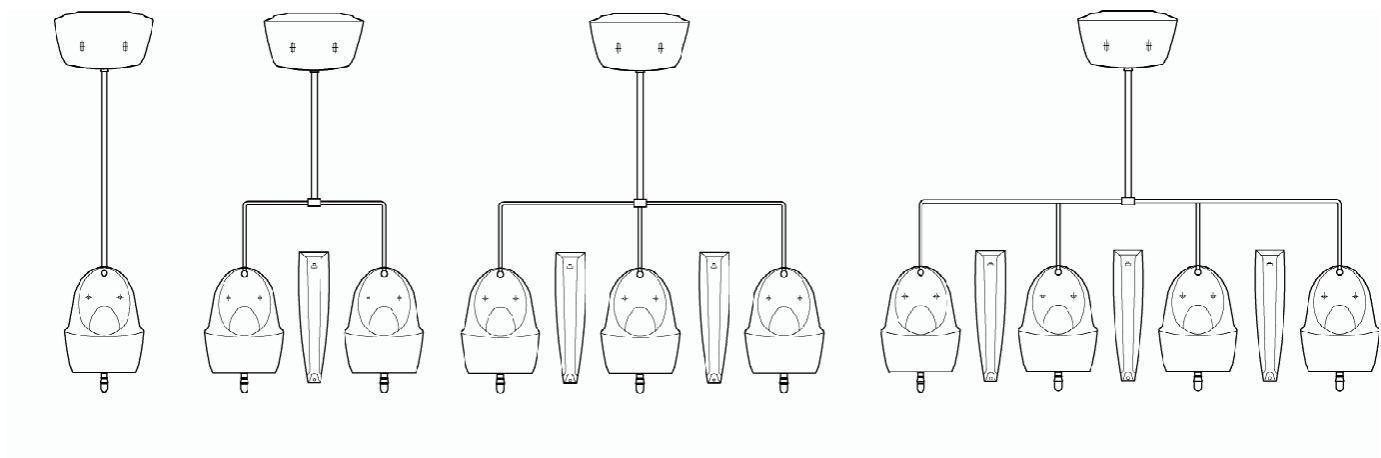
healthcare

education



Item	C	D	E	F	G	H	I	J	K	L	M	N	O	P	Q	R	S
Exposed Urinal (With Exposed Cistern)	510	800	900	400	150	610	350	335	650	210	460	1000	270	275	2170	630	310
Exposed Urinal (With Exposed Push Button)	510	800	900	400	150	610	350	-	-	-	-	-	-	-	-	630	310
Exposed Corner Urinal (With Exposed Push Button)	500	775	915	455	230	610	350	-	-	-	-	-	-	-	-	-	-
Concealed Urinal (With Exposed Push Button)	575	800	900	520	-	610	350	-	-	-	-	-	-	-	-	630	310
Concealed Urinal (With Infrared Flush Valve)	575	800	900	520	-	610	360	-	-	-	-	-	-	-	-	630	310

All dimensions in mm. Tolerance of ± 5% for below 75mm and ± 2% for above 75mm for Vitreous China.



Urinal cisterns and pipe work
(see page 43 for urinals)

EXPOSED PIPES & SPEADERS

● Chrome Plated ● Top Inlet

1 bowl	S2195001
2 bowl	S2195011
3 bowl	S2195021
4 bowl	S2195031

CONCEALED PIPES & SPEADERS

● Chrome Plated ● Back Inlet

1 bowl	S2195501
2 bowl	S2195511
3 bowl	S2195521
4 bowl	S2195531

EXPOSED CISTERN

● White ● OL28A ● Syphon 25mm

Auto cistern case	S7004029
4.5ltr auto cistern	S2199571
9ltr auto cistern	S2199572
13.5ltr auto cistern	S2199573

CONCEALED CISRTERN

4ltr auto cistern	S2199031
9ltr auto cistern	S2199032

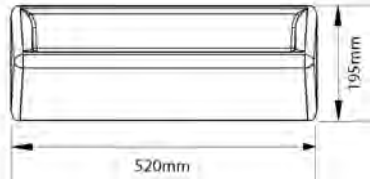
hotels

leisure

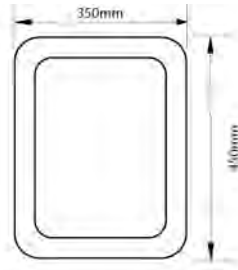
commercial

healthcare

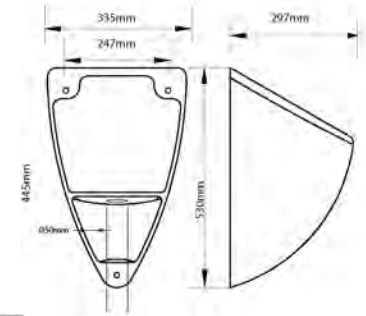
education



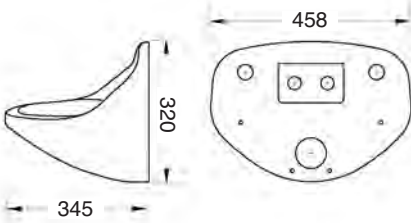
RESAN - Shelf



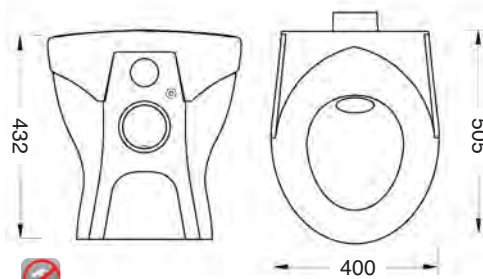
RESAN - Mirror



RESAN - Urinal

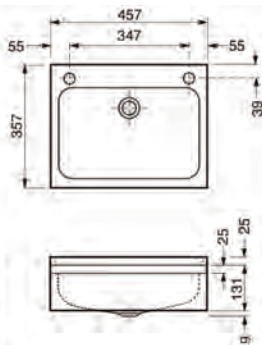


RESAN - Basin

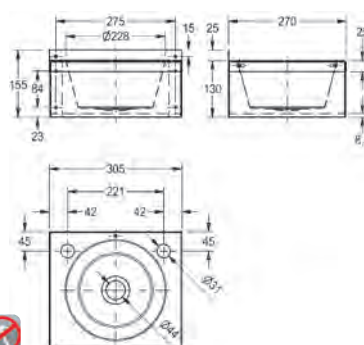


RESAN - W.C Pan

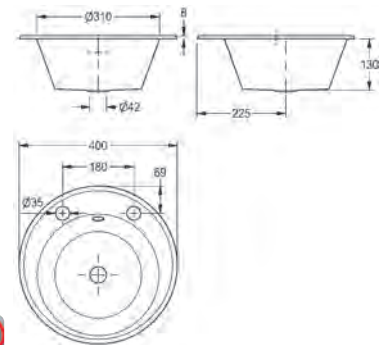
Stainless Steel



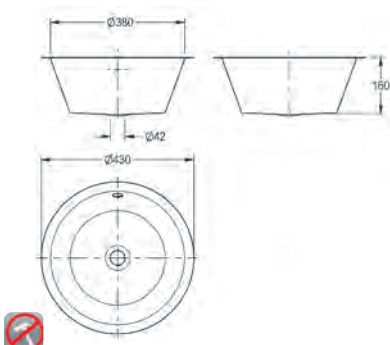
WASH BASIN - S2103001



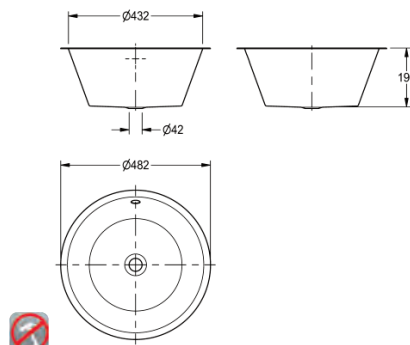
WASH BASIN - S2103501



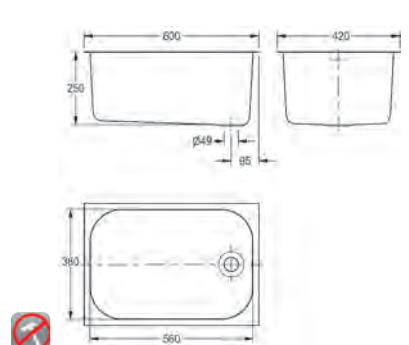
INSET WASH BASIN - S2104601



INSET WASH BASIN - S3020511



INSET WASH BASIN - S3020521



INSET BOWL - S3020031

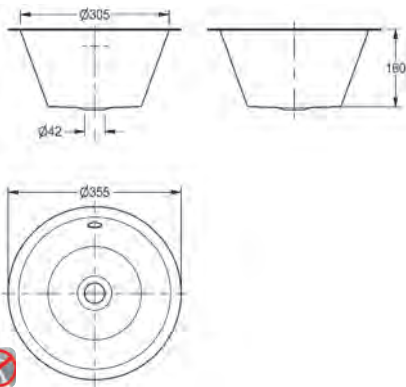
hotels

leisure

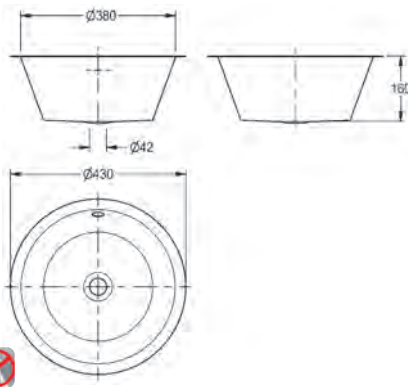
commercial

healthcare

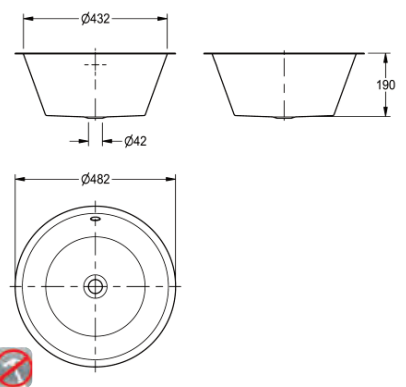
education



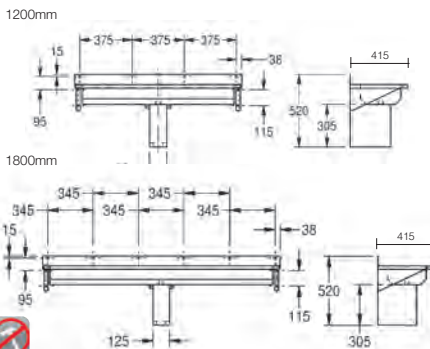
INSET WASH BASIN - S3020501



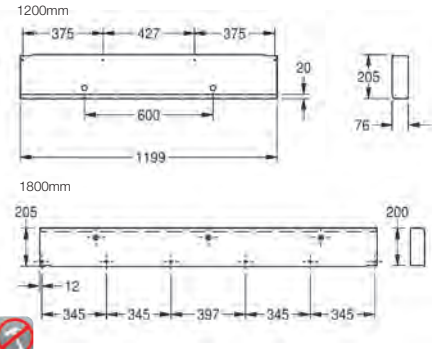
INSET WASH BASIN - S3020511



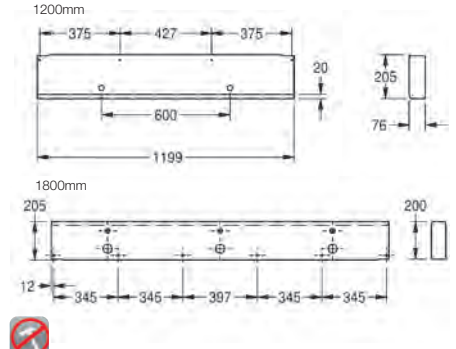
INSET WASH BASIN - S3020521



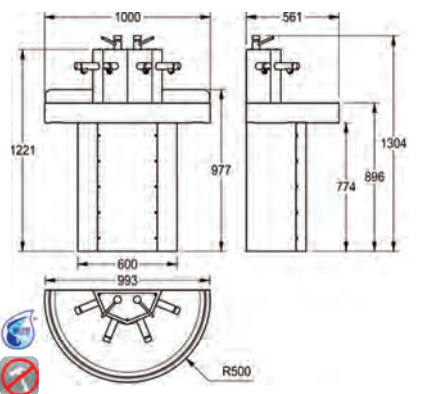
WASHTROUGH
S2192412 1200mm wide
S2192411 1800mm wide



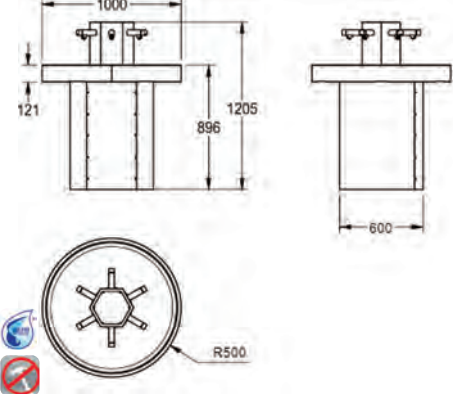
WASHTROUGH
S2192439 1200mm wide
S2192440 1800mm wide



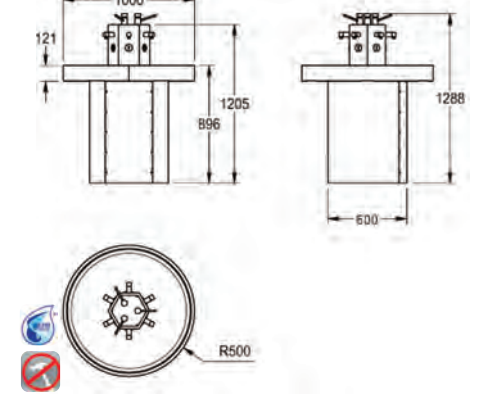
WASHTROUGH
S2192441 1200mm wide
S2192442 1800mm wide



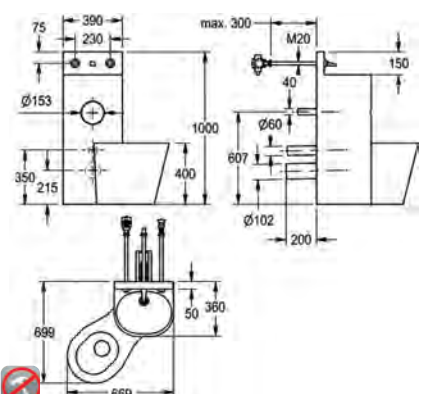
SEMI CIRCULAR WASH TROUGH
S2192413



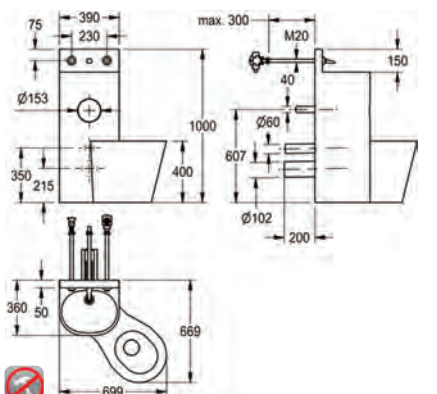
CIRCULAR WASH TROUGH
S2192414



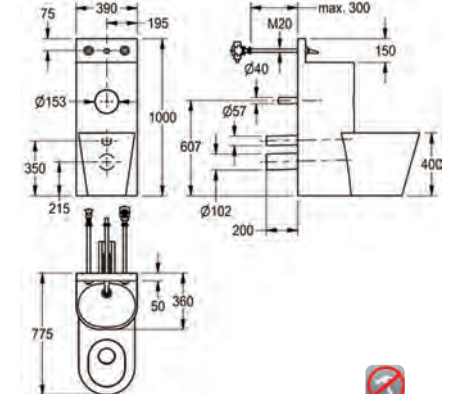
CIRCULAR WASH TROUGH
S2192415



UNIVERSAL PRISON WC UNIT
S2192416 Left hand



UNIVERSAL PRISON WC UNIT
S2192417 right hand



UNIVERSAL PRISON WC UNIT
S2192418

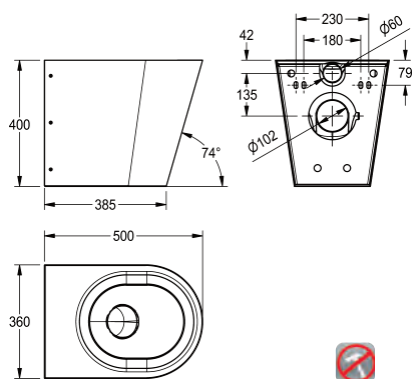
hotels

leisure

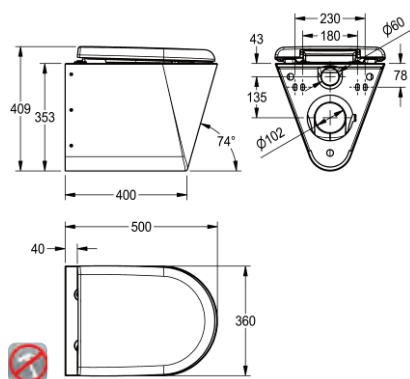
commercial

healthcare

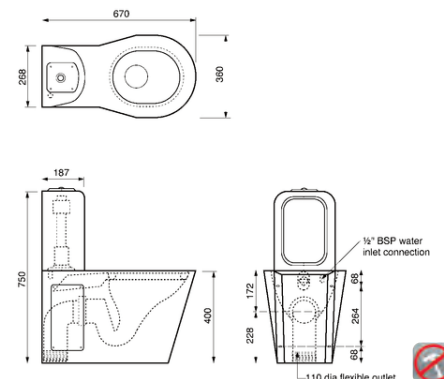
education



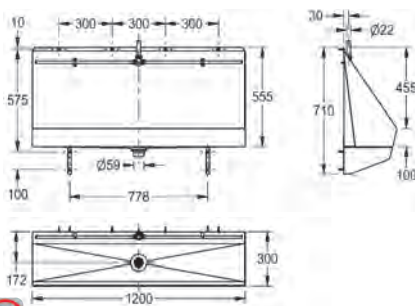
PAN WITH SHROUD - S2192419



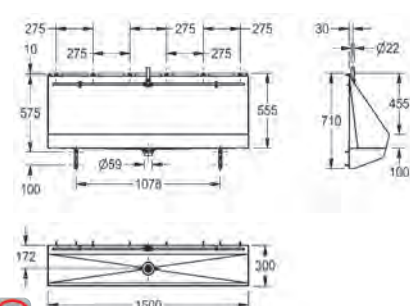
WALL HUNG PAN - S2192423



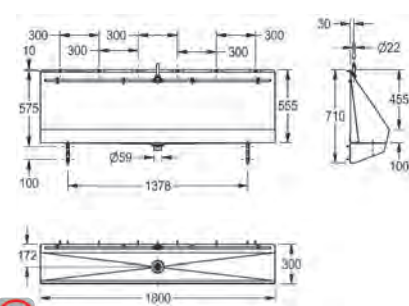
CLOSE COUPLED - S2192427



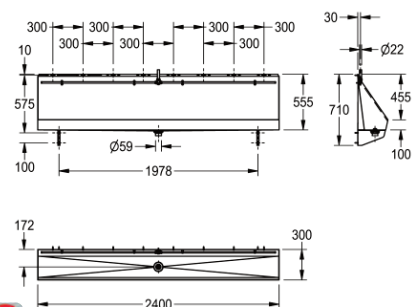
WALL HUNG URINAL
S2192515 Exposed pipe work



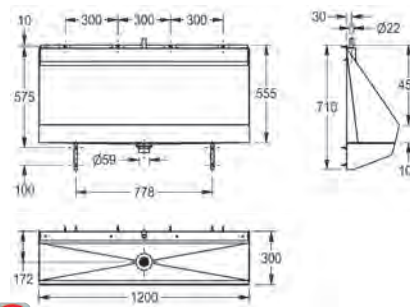
WALL HUNG URINAL
S2192428 Exposed pipe work



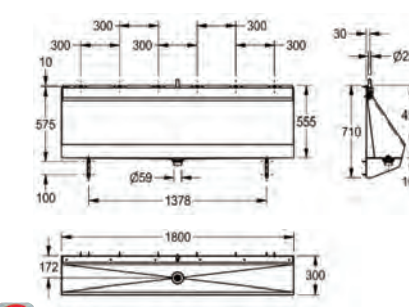
WALL HUNG URINAL
S2192516 Exposed pipe work



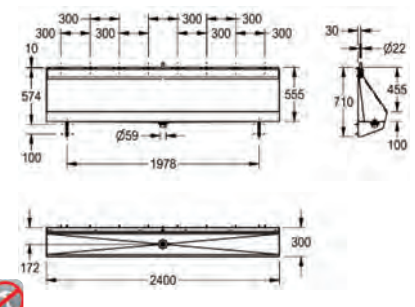
WALL HUNG URINAL
S2192517 Exposed pipe work



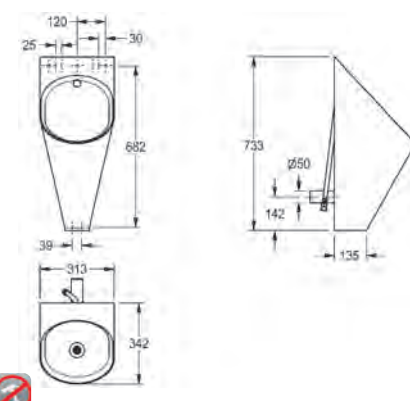
WALL HUNG URINAL
S2192429 Concealed pipe work



WALL HUNG URINAL
S2192430 Concealed pipe work



WALL HUNG URINAL
S2192431 Concealed pipe work



URINAL POD
S2190000 Concealed pipe work

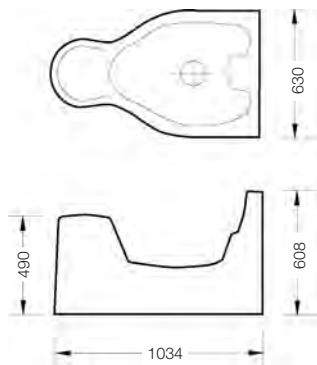
hotels

leisure

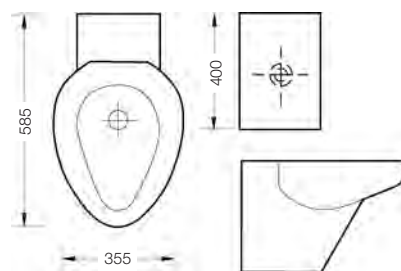
commercial

healthcare

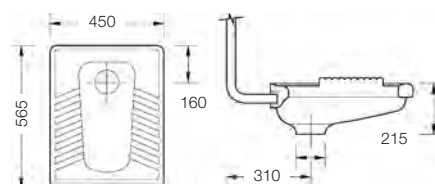
education



WUDUMATE - S7004123



ENVIRO GLAZE - S7004122



ASIATIC SQUATTING PAN - S7004047

Index

ABS	83, 85	Geberit	37, 39, 43	Robe hook	86
Accessories	83 - 88	Grab rails	97 - 104, 106 - 107	Safeflush	41
Accessible toilets	33 - 37	Grates	54	Schools	33, 35, 39, 40, 47, 51, 62, 63
Advanced toilet seats	41	Hand dryers	83		70 - 75, 80, 81, 83, 84, 91, 93, 95, 109
Adventura	70 - 71	Health Care	27, 33, 34, 35, 37, 47, 50, 54	Semi countertop basins	30
Anti - Vandal	39, 47, 53, 83, 84, 89, 91 - 93, 95		55 62, 63, 97 - 109	Semi pedestal basins	25, 26
Aquaclean	37	High level cisterns	39	Sensor operated	38, 43, 47, 48, 53, 83, 84, 91
Aquasave	25, 34	High level WC	35	Shelf	87, 88
Arc	28	High Pressure Laminates	66 - 67, 72 - 73	Shine	85
Asiatic squatting pan	95		76 - 77, 78 - 79	Shower panels	53
Astral	107	Infra red	38, 47, 53, 84, 91	Shower toilet's	37
Back to wall WC's	33, 92, 95	Inset basins	31, 91	Shower valves	54
Bar valves	54	IPS System	76 - 77	Shower wastes	54
Basin floor stands	29	Janitorial unit	91	Showering	53 - 55, 104
Basin wastes	31	Knee operated taps	51	Signs	109
Belfast sinks	95	Lever flush cisterns	38, 39	Simplicity	50
Big John	41	Lever operated	47, 49, 50, 51, 54	Sit on basins	28, 29
Bottle Traps	31	Linear deck	54	Slab urinals	92
Broadgate	26, 34, 35	Lockers & Benches	80 - 81	Soap dish	86, 87, 88
Broadgate Plus	26, 33, 35	locks	105	Soap dispenser	84, 85, 93
BSS	26, 28, 35, 40	Low level cisterns	39	Solid Grade Laminte	62 - 63, 73 - 76, 78 - 79
Candy Burst	74 - 75	Low level WC	35, 97, 98, 100	Solo	27, 29, 30, 33, 34, 36, 49
Childrens WC's	33, 35, 40	Lure	30	Spectrum	107
City	66 - 67	Melamine Faced Chipboard	60 - 61, 64 - 79	Stainless steel	83, 84, 85, 91 - 93, 95, 107
Cleaners sink	95	Mirror	87, 88	Taps	47 - 51
Close coupled WC's	34, 92, 99, 100, 102	Modern	25, 27, 28, 30, 31, 33, 35, 36, 43	Tear Drop	85
Clothes line	86	Non-Concussive	47, 53, 91, 93	Thermostatic	47, 53, 54, 104
Colour selector	58 - 59	Nova accessories	86, 87	Toilet brush holder	84, 86
Combination unit	93	Nova grabrails	107	Toilet roll holder	86, 87, 88
Concealed cisterns	38, 39	Nova Cube	49	Toilet seats	40 - 41
Concealed trap basin	27	Nova Digital	47	Toilet tissue dispenser	84, 85
Concealed trap urinals	43, 45, 92	Novus	93	Towel rails	29, 87, 88
Corner basins	28	Nuastyle	47	Trend	50
Countertop basins	31, 91	Nursing bench	103, 109	Trident	43
Cross head taps	50, 51	Opac	54	Undermount basins	30
Cross top	51	Palma	50, 54	Urban	64 - 65
Cubicles	57 - 79	Paper towel dispenser	84, 85, 93	Urinal wastes	43, 45
Director	84	Pedestal basin	25 - 27	Urinals	43 - 45, 92
Divider	43	Pendulum	43	Vanity Units	78 - 79
Doc M's	96 - 104, 109	Pentland	33, 34, 35, 97 - 102	Villa	28
Double bowl wash basins	29	Phleximax	54	Voda	107
Drinking fountains	93	Phlexitherm	47, 54	Vogue	28
Duct Panelling	76 - 77	Phlexiwave	107	Wall hung basins	27, 28, 91
Duo Deluxe	50	Pipes & spreaders	122	Wall hung WC's	36, 92
Duofix	39, 43	Premier decks	55	Wall mounted taps	47, 49, 51
Dynamic	62 - 63	Proteus	107	Wash basins	25 - 31, 91
Eco	33, 34, 35, 38, 43, 44, 45, 47, 49, 51, 54	Pure	25, 33, 34, 36	Washtrough	91
Economy	34, 35	Push button cisterns	38	Waste bin	84, 85, 86, 92, 93
Elemental	60 - 61	Quadro	49, 54	Waterless urinals	44, 45
Embrace	26, 27, 31, 33, 34, 36	Quinto Ecoflow	49	Wayfinders	109
Enhancement seats	37	Raised height WC's	33, 34, 35, 97 - 102	WC cistern's	38-39, 95
Enthuse	25, 27, 30, 31, 33, 34	Recessed	87, 92, 93	WC fixings	36
Enviro Glaze	95	Rema	36	WC frames	39
Essential	68 - 69	Resan	89	WC's	33 - 37, 92, 95, 97 - 102, 109
Flow limiters	51, 54	Response	49	wetroom	54
Flush plates	39	Retrospect	72 - 73	Wood finish	60, 61, 64, 65
Fluted	107	Reveal	27, 28, 30	Wudumate	95
Foot wash	95	Rimless WC's	33		
Full pedestal basins	25, 26	Riser rails	54		

Total Washroom

solution provider



WETROOMS

As manufacturers of the complete system, N&C offer every component required to create a stylish, level access showering environment.



BATHS

From contemporary and classic, we have a broad collection of baths in a range of shapes and styles perfect for hotels.



WALL & FLOOR TILES

N&C are leading suppliers of award winning ceramic, porcelain and natural stone wall and floor tiles.



IRONMONGERY

As ironmongers since 1875, and as part of the Guild of Architectural Ironmongers, we specialise in everything required in washrooms



FLOORING

As leading manufacturers, we provide quality materials for required safety flooring, such as althro, vinyl tiles and screeds.



ADHESIVES

We manufacture innovative, high performance adhesives, grouts and tiling systems through our Nicobond brand, within our UK based factory.



INDEPENDENT LIVING

Through our Phlexicare brand, N&C are leading manufacturers and distributors of independent living solutions designed for people with all levels of abilities, covering accessible showering, multi user kitchens and more.



DECORATING

Our builders merchant division offers all the popular trade brands for decorators and building professionals.



GLASS & GLAZING

As the UK's leading independent supplier of commercial and domestic glass and glazing products, we can offer unrivalled solutions at competitive prices.



Distribution Centres, Trade Counters & Showrooms

N&C Building Materials
41-51 Freshwater Road
Chadwell Heath
Romford
Essex RM8 1SP
Tel: 020 8586 4600
Fax: 020 8586 4646

Unit C1
Cothill Trading Estate
Plympton
Plymouth PL7 1SR
Tel: 01752 339724
Fax: 01752 342746

Units B1/B3
Sneyd Trading Estate
Sneyd Hill, Burslem
Stoke on Trent ST6 2PA
Tel: 01782 575727
Fax: 01782 575641

26 Colquhoun Avenue
Hillington, **Glasgow** G52 4BN
Tel: 0141 880 1200
Fax: 0141 880 1212

Unit 4 Waterloo Industrial Estate
Flanders Road, Hedge End
Southampton SO30 2QT
Tel: 01489 779700
Fax: 01489 779701

325-327 Penarth Road
Cardiff CF11 8TT
Tel: 029 2039 0146
Fax: 029 2022 4356

Unit 2 City Park Industrial Estate
Gelderd Road
Leeds LS12 6DR
Tel: 0113 224 4630
Fax: 0113 224 4631

Trade Counters & Showrooms

Units 1A/B Alexander Place
Lower Park Road
New Southgate
London N11 1ST
Tel: 020 8361 6050
Fax: 020 8361 4757

Unit 8 Ascent Park
Edinburgh Way
Harlow
Essex CM20 2HW
Tel: 01279 621980
Fax: 01279 621981

14 Meridian Trading Estate
Bugsby Way, Charlton
London SE7 7SJ
Tel: 020 8269 5960
Fax: 020 8269 5961

Unit 1 Cliffside Trade Park
Motherwell Way
Lakeside
West Thurrock
Essex RM20 3LE
Tel: 01708 680180
Fax: 01708 680181

Unit 16 Arlington Business Pk
Whittle Way
Stevenage
Hertfordshire SG1 2BD
Tel: 01438 315400
Fax: 01438 740338

Units 9-11
McDonalds Business Park
Maylands
Hemel Hempstead
Hertfordshire HP2 7EB
Tel: 0845 2606 025
Fax: 0845 2606 026

Unit 8D Pompey Centre
Fratton Way, Southsea
Portsmouth PO4 8TA
Tel: 02392 894599
Fax: 02392 894598

Unit 5 Tower Court
St David's Road
Swansea Enterprise Park
Swansea SA6 8QL
Tel: 01792 797337
Fax: 01792 774019